

A

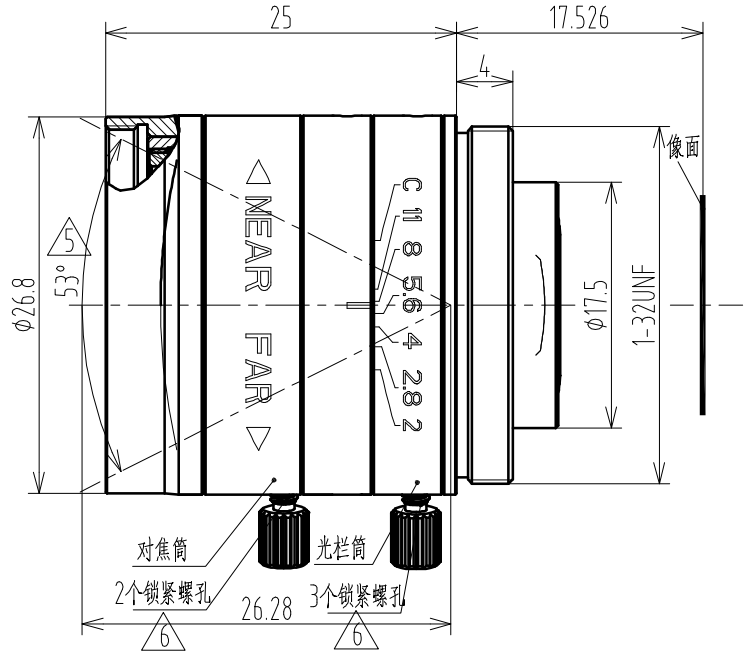
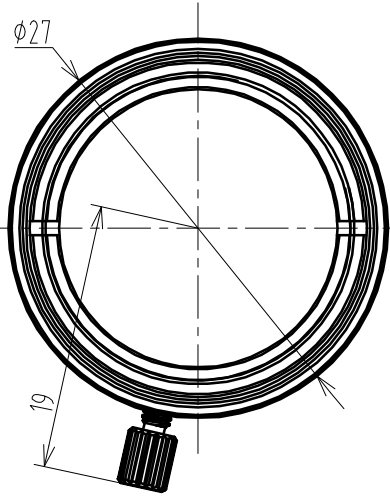
B

C

A

B

C



1/1.8" F2.0 C Mount

Working distance

Optical Magnification

1/1.8" Field of View(mm)

Focal Length	f=8mm			mm		H	V	
F/NO	F=2.0-C			900	0.009X	792	594	
Image Size	1/1.8"(7.2x5.32mm)	1/2.5"(5.76x4.32mm)	1/3"(4.8x3.6mm)	850	0.009X	749.3	562	
Angle FOV	H	46.8°	38.2°	32.2°	800	0.010X	705.7	529.2
	V	36.0°	29.11°	24.5°	750	0.011X	662	496.5
	D	56.0°	47.7°	40.3°	700	0.011X	618.4	463.8
Object Dimension at WD.300mm	H	269.4mm	219.2mm	186mm	650	0.012X	574.2	430.7
	V	202mm	164.2mm	136.7mm	600	0.013X	531.2	398.3
	D	336.7mm	274mm	232.5mm	550	0.015X	487.5	365.6
Distortion (TV)	<0.1%			500	0.016X	443.9	332.9	
Focus distance(min)	0.1m			450	0.018X	400.3	300.2	
Flange back	17.526mm in air			400	0.020X	356.6	267.5	
Back focus	11.4mm in air			350	0.023X	313	234.8	
Filter screw size	M25.5xP0.5			300	0.026X	269.4	202	
Front/Rear Effective Dia	Front ϕ 20.1mm Rear ϕ 6mm			250	0.032X	225.5	169.1	
Mount	C-Mount			200	0.039X	182.2	136.6	
Temperature Range	-10~+50°C			150	0.052X	138.6	103.9	
Storage Temperature Range	-20~+60°C			100	0.076X	95.2	71.4	

				TOLERANCE: LINEARITY TOLERANCES ± 0.05 ANGULAR TOLERANCES ARE $\pm 30'$ DRAFT ANGLES AREA $\pm 0.5^\circ$ /SIDE		三角法		材料(环保)		单位	比例
						---		mm		2:1	
				设计	朱周德	2015-08-31	名称	FA0801C规格图			
				校对				FA0801C-SPEC			
				审核			代号	FA0801C-SPEC			
				批准				V6			
△6	2	朱周德	2018,01,23	标记	处数	更改文件号	担当	变更日期			