



---

**FINGERTIPS**  
OFFERING

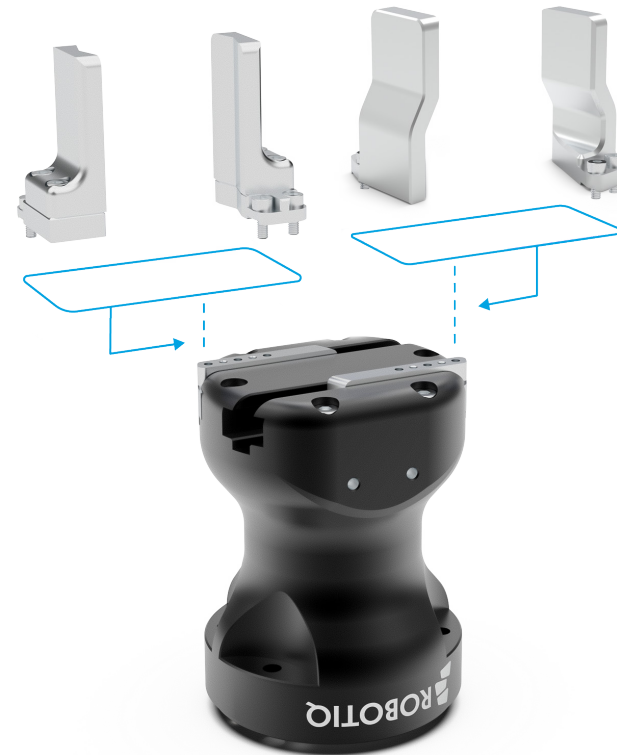
September 2021

You can access every fingertip CAD [here](#).

## FINGERTIPS OFFERING

Robotiq offers basic fingertip options that let you to grasp many parts. However, you may need to customize your fingertips to get the best fit for your application. Luckily, Robotiq Adaptive Grippers are very easy to customize!

Visit [elearning.robotiq.com](https://elearning.robotiq.com) for a short lesson on how to design custom fingertips for Robotiq grippers.



### Support for fingertip customization

Our goal has always been to simplify the integration of a robotic cell in your factory. That's why we offer several resources to help you customize your own fingertips.

- Visit our blog to get the latest insights: [blog.robotiq.com](https://blog.robotiq.com)
- Visit our DoF community to discuss with pros: [dof.robotiq.com](https://dof.robotiq.com)
- Get help from our integration coaches and use our Blueprints platform to describe your task: [blueprints.robotiq.com](https://blueprints.robotiq.com)

## Flat Rubber Overmolded Fingertip Kit

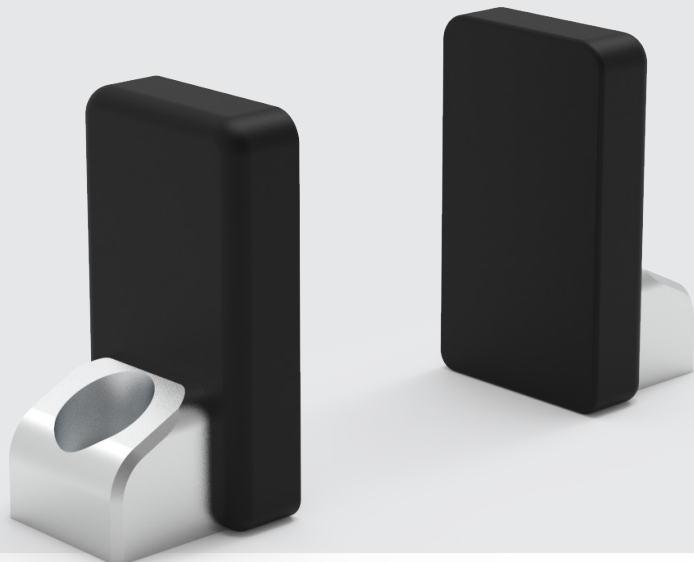
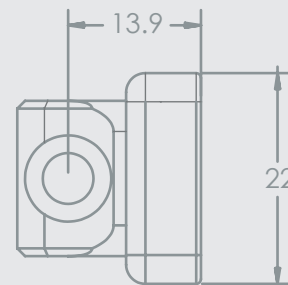
| AGC-TIP-MLD-KIT-85

### Included with 2F-85 Gripper

Perfect for internal  
and external grip.

### MATERIAL

NBR rubber



### Compatible with

2F-85	2F-140	Hand-E
✓		✓ Extender kit needed – sold separately see page 12.

Measurements in mm.

## Flat Rubber Overmolded Fingertip Kit

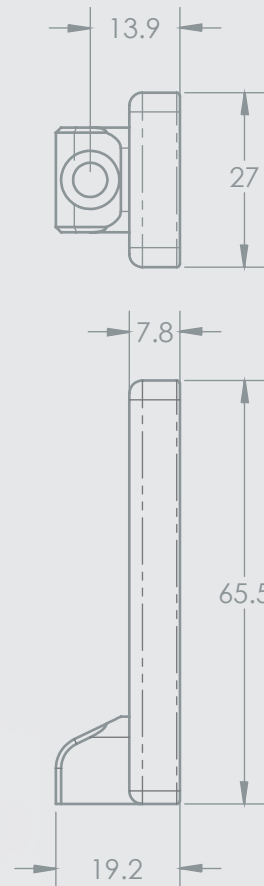
| AGC-TIP-MLD-KIT-140

### Included with 2F-140 Gripper

Perfect for internal  
and external grip.

### MATERIAL

NBR rubber



### Compatible with

2F-85	2F-140	Hand-E
	✓	✓ Extender kit needed – sold separately see page 12.

Measurements in mm.

## Flat Rubber Overmolded Fingertip Kit

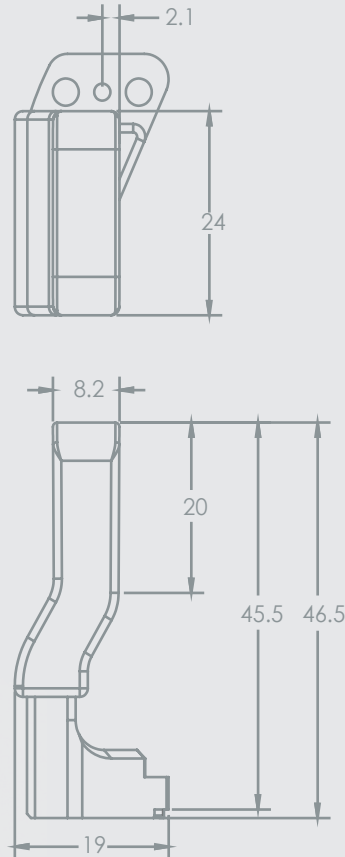
| HND-FIN-MLD-KIT

### Included with Hand-E Gripper

Perfect for internal  
and external grip.

### MATERIAL

NBR rubber



Compatible with

2F-85	2F-140	Hand-E
		✓

Measurements in mm.

## Grooved Fingertip Kit

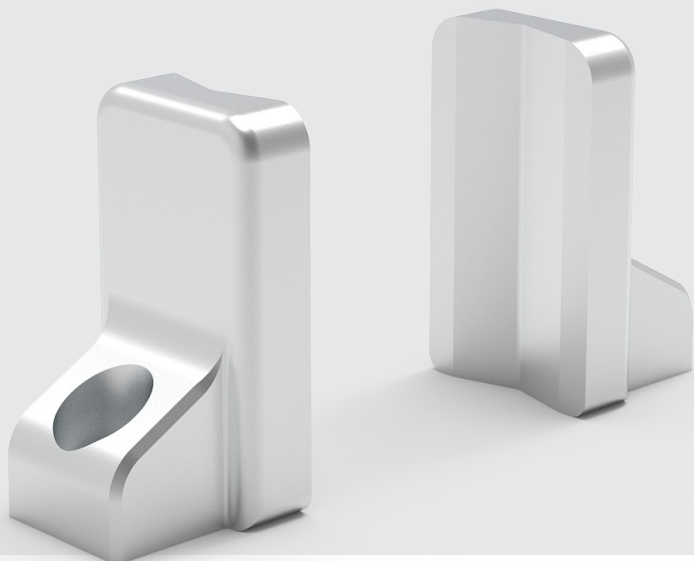
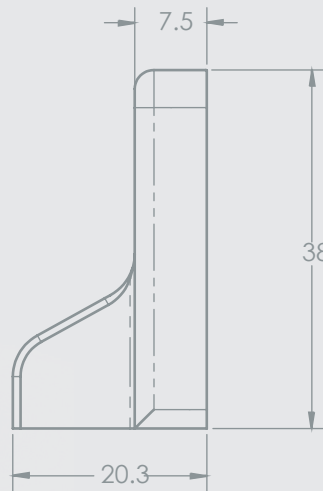
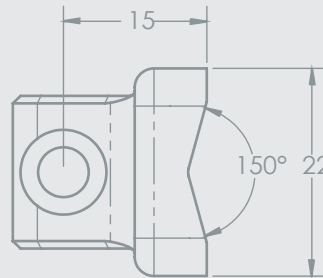
| AGC-TIP-205-085

### DESIGNED FOR

Cylindrical parts

### MATERIAL

Aluminum



### Compatible with

2F-85	2F-140	Hand-E
✓		✓ Extender kit needed – sold separately see page 12.

Measurements in mm.

## Grooved Fingertip Kit

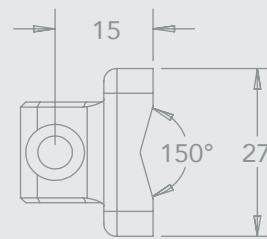
| AGC-TIP-421-140

### DESIGNED FOR

Cylindrical parts

### MATERIAL

Aluminum



### Compatible with

2F-85	2F-140	Hand-E
	✓	✓ Extender kit needed – sold separately see page 12.

Measurements in mm.

## V-Groove Fingertip Kit

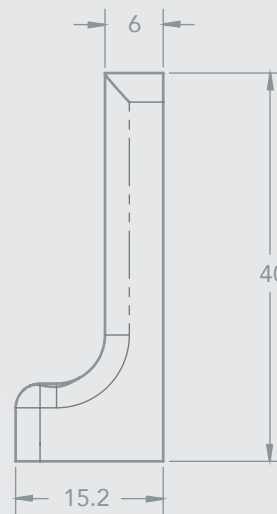
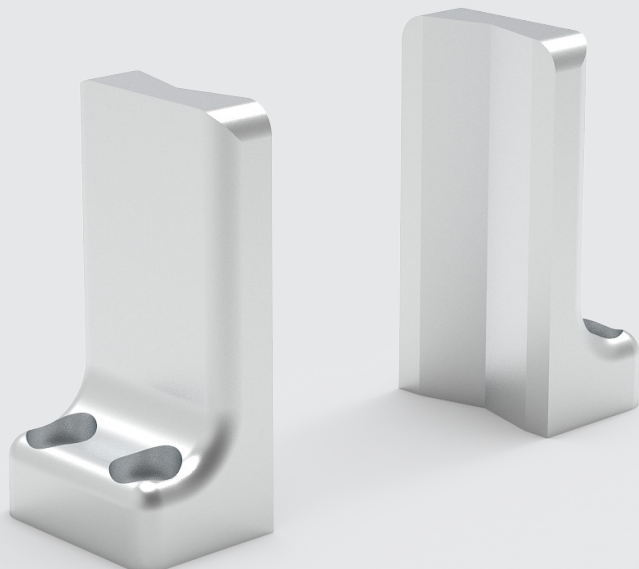
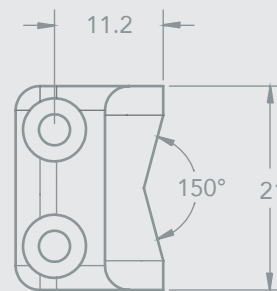
| HND-TIP-VGR-KIT

### DESIGNED FOR

Cylindrical parts

### MATERIAL

Aluminum



### Compatible with

2F-85	2F-140	Hand-E
		<p>✓ Fingertip holder kit needed – included with Hand-E</p>

Measurements in mm.



## Fingertip Conversion Kit

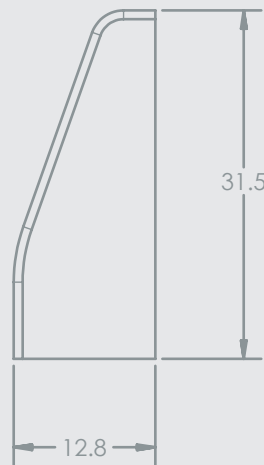
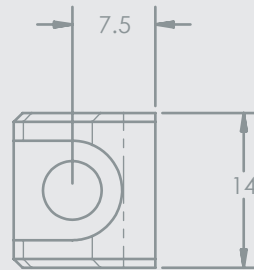
| AGC-TIP-CONV-KIT

### DESIGNED TO

Replicate the fixture pattern of the 2F V3.

### MATERIAL

Aluminum



### Compatible with

2F-85	2F-140	Hand-E
✓	✓	✓
		Extender kit needed – sold separately see page 12.

Measurements in mm.

## Aluminum Fingertip Kit

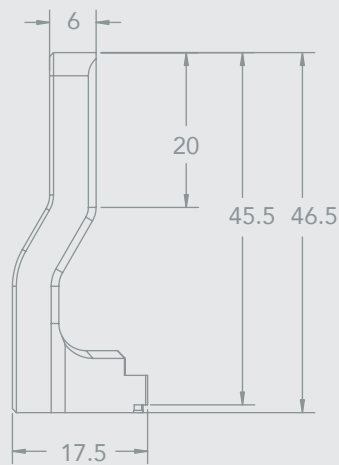
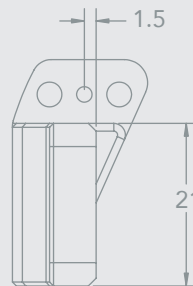
| HDN-FIN-ALU-KIT

### DESIGNED FOR

Internal and external grip.

### MATERIAL

Aluminum



### Compatible with

2F-85	2F-140	Hand-E
		✓

Measurements in mm.

## Fingertip Holder Kit

| HND-TIP-HLD-KIT

### DESIGNED FOR

Installation of other types of fingertips, stroke of Hand-E becomes 0-38 mm.

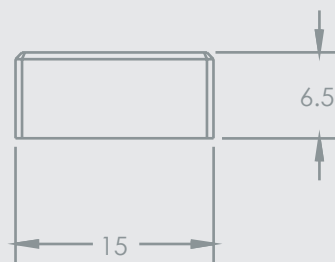
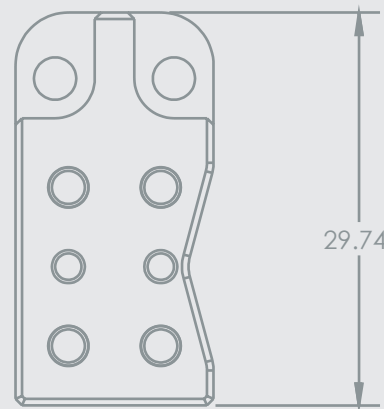
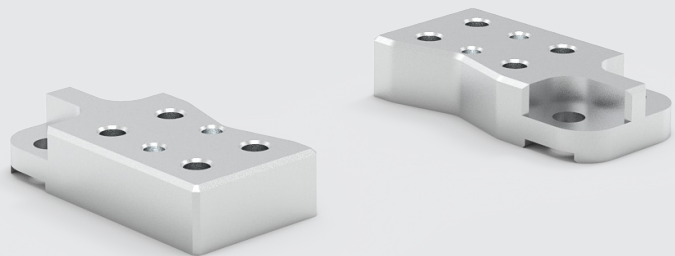
### MATERIAL

Steel



### Compatible with

2F-85	2F-140	Hand-E
		✓



Measurements in mm.

## Fingertip Extender Kit

| HND-TIP-EXT-KIT

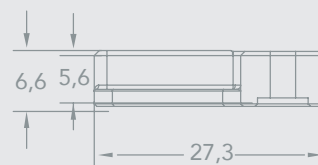
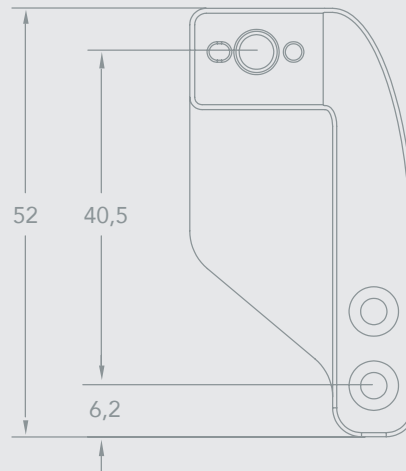
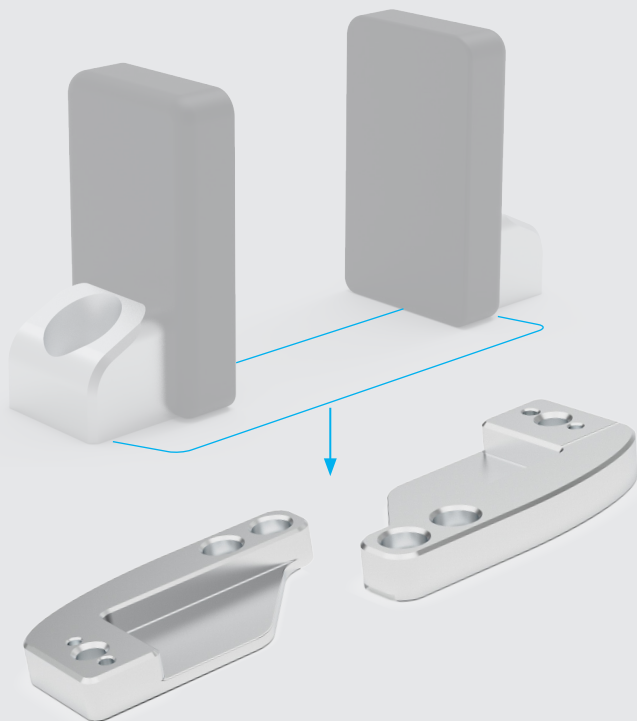
Only compatible with:  
AGC-TIP-MLD-KIT-85  
AGC-TIP-MLD-KIT-140

### DESIGNED FOR

Allowing Hand-E to open up  
from 40 to 98 mm.

### MATERIAL

Steel



### Compatible with

2F-85	2F-140	Hand-E
		✓

## Hand-E Fingertip Starter Kit

| HND-TIP-START-KIT

Includes:  
HND-TIP-VGR-KIT  
HND-TIP-HLD-KIT  
HND-FIN-ALU-KIT

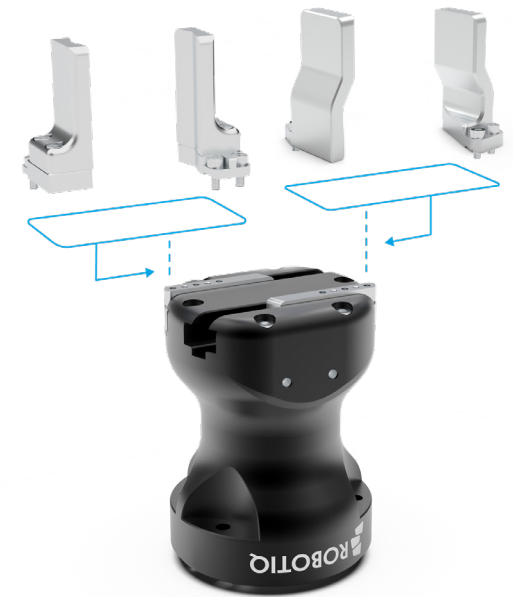


### Included with Hand-E Gripper

To test your parts with several fingertip options.

### MATERIAL

Aluminum



### Compatible with

2F-85	2F-140	Hand-E
		✓

**START  
PRODUCTION  
FASTER**

[robotiq.com](https://robotiq.com)

September 2021