

伯朗特3008

①公司的经营宗旨:伯朗特在“完成伯朗特3008就是共同富裕”的企业文化引领下通过“重研发轻资产”的创新驱动实现共同富裕;伯朗特2022年度开始每年的净利润100%投入研发,这就是取之于民用之于民为共同富裕实现。

②伯朗特应用商规则:下单BORUNTE产品单一型号1000台给伯朗特成为一级应用商,二级应用商下单BORUNTE产品单一型号100台给一级应用商,三级100%预付≥2.85万BORUNTE产品到二级,一、二级应用商享受20%返点,一级下单2倍返点金额伯朗特,二级下单10倍返点金额一级,一级赚10%返点,二级赚10%返点,二级100%不是消费者,因为每家一级都有1000台单一BORUNTE产品要履约,二级有100%动力把消费者报备成三级,因为已报备三级的消费者被抢就面临伯朗特永久性停止该伯朗特一级应用商接单。

③伯朗特供应链规则:付款方式:当月结现金转账。成本、品质、交期,新进入供应商必须比老供应商成本下降30%以上才能通过研发中心品质和生产中心交期的验证才能成为该产品80%的主流供应,只要您具备足够的成本、品质、交期,伯朗特的大门永远都是开放的,这就是供应链中心同事"傻瓜式"二选一谈判:"成本"不超过现有供应商且品质、交期没问题就能成为1%~20%的副供应商或者"成本"比现有供应商下降30%以上且品质、交期没问题就能成为80%以上的主供应商。

共同富裕

天人合一
我将无我

共同富裕
伯朗特3008

《伯朗特3008》

我们的梦想
从伯朗特起航
不管再大的风浪
携起手来勇敢去闯

我们的梦想
在伯朗特发光
万亿目标的战略
要成为共同富裕的领头羊

我们的梦想
和伯朗特一起飞翔
共同富裕的实现
有您有我爱的力量

《伯朗特3008共同富裕》

BORUNTE 3008 Prosperity for all

1 = D 原唱:尹贵超 词曲:尹荣造

0 0 0 3 4 | 5 - 0 1̇ 7 | 1̇ 5. 0 3 5 | 1̇ 1̇. 0 1̇ 2̇ |
伯朗特 3 0 0 8 共同富裕, 凝成

7. 6 6 5. 3 5 | 6 5. 0 3 2 | 2 1. 0 6 1 |
一条路,我将无我,天人合一,我们

2. 1 1 3 2 6 1 | 2 0 4. 3 3 4 | 5 - - 3 5 | 1̇. 1̇.
尽管努力伯朗特自有安排,保证完成,

1̇ 2̇ | 3̇ 2̇ 1̇. 3 5 | 1̇ 7 1̇ 7 6 0 3 4 | 5. 5 5 6
坚决完成,世界的共同富裕,我们道远任

5 0 3 5 | 1̇. 1̇ 0 1̇ 2̇ | 3̇ 2̇ 1̇ 0 3 5 | 1̇ 7 6.
重,共同富裕,世界大同,创新促永续,

6 7 | 1̇ 7 1̇ 2̇ 2̇ 2̇ 0 6 1̇ | 2̇ 1̇ 2̇ 2̇ - - | 3̇ 2̇
勇攀巅峰,完成伯朗特 3 0

1̇ 2̇ 6 6 0 6 1̇ | 2̇. 5 3 1̇ | 2̇ - 2̇ 0 6 1̇ | 2̇ 1̇ 2̇
0 8 就是共同富裕,完成伯朗

2̇ - 2̇ 0 | 3̇ 2̇ 1̇ 2̇ 6 6 0 6 1̇ | 2̇. 5 3 7 | 1̇ - - - ||
特 3 0 0 8 就是共同富裕。

《1.11伯朗特文化节是共同富裕的“伯朗特宣言”》

伯朗特文化节
它是宣言书
向共同富裕发出呐喊
王侯将相宁有种乎?

伯朗特文化节
它是播种机
在共同富裕播洒希望
星星之火,可以燎原!

伯朗特文化节
它是指明灯
为共同富裕指明方向
路途遥远、行则将至!

1.11伯朗特文化节
一场共同富裕的饕餮盛宴
共同富裕,世界大同
同心者同路!

BRTIRXZ Series

六轴协作机器人
Six-axis Robot

¥ 200000

产品特点 Product Features

BRTIRXZ0805A是伯朗特自主研发的一款带拖动示教功能的六轴协作机器人,其最大负载为5KG,最大臂展可达870mm。具有碰撞检测、轨迹复现等功能。同时具有安全高效、智能易用、灵活轻巧、经济可靠和低功耗等特点,大大满足客户对人机协作方面的需求。其高灵敏性和快响应性可适用于高密度的柔性化生产线,满足产品包装、注塑、上下料、装配等作业需要,尤其对人工协同作业的应用需求,更是出类拔萃。
防护等级高——IP54,防尘,防水。
精度高——重复定位精度±0.03mm。

BRTIRXZ0805A is a six-axis cooperative robot with drag-teaching function independently developed by BORUNTE, with a maximum load of 5KG and a maximum arm length of 870mm. It has the functions of collision detection and track reproduction. At the same time, it is safe and efficient, intelligent and easy to use, flexible and light, economical and reliable, low power consumption and other characteristics, which greatly meet the needs of customers in man-machine cooperation. Its high sensitivity and quick response can be applied to high density flexible production line, to meet the needs of product packaging, injection molding, loading and unloading, assembly and other operations, especially for man-machine collaborative work application demand, is outstanding.
The protection grade reaches IP54.
Dust-proof and water-proof.
The repeat positioning accuracy is ±0.03mm.

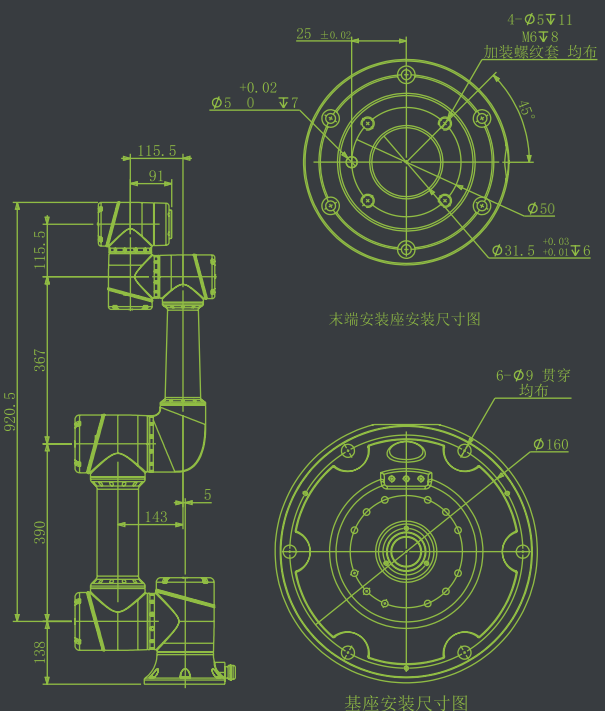
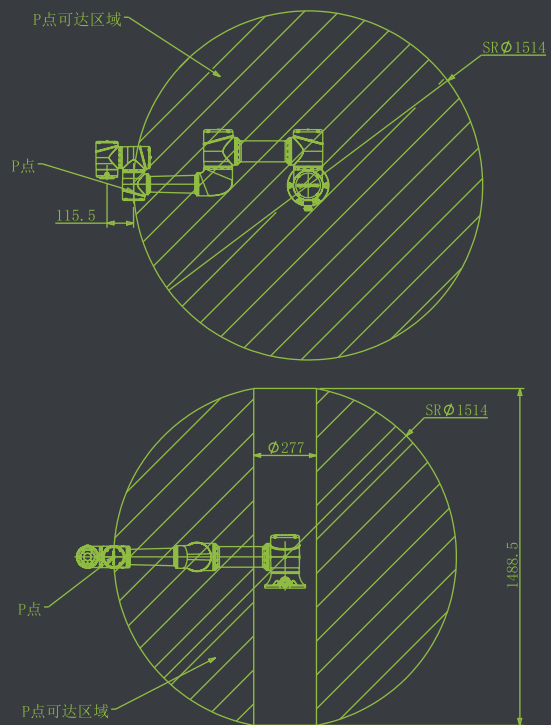


主要规格 Main Specification

机型Model	项目Item	手臂Arm			手腕Wrist			臂展(mm) Arm Length	负载(KG) Loading ability	重复定位精度 (mm) Repeatability	电源容量(KVA) Power Source	本体重量 (KG) Net Weight
		J1	J2	J3	J4	J5	J6					
BRTIRXZ0805A	臂展Arm Length(mm)	地面-2轴距 138mm		2-3轴距 390mm	3-4轴距 367mm	5轴-端面距 91mm	870	5	±0.03	5.5	约26	
	范围 Range(°)	±180°	±160°	-65°/+250°	±180°	±180°						±360°
	最大速度 Max.Speed(#/s)	120°/s	120°/s	120°/s	180°/s	180°/s						180°/s

因改良等原因,规格及外观有所变更时,不再另行通知,敬请谅解。

Without further notice if specification and exterior have been changed because of improvement.Thanks for your understanding.



末端安装尺寸图

底座安装尺寸图

BRTIRSC Series

四轴机器人
Four-axis Robot

BRTIRSC0603A
¥ 28500

BRTIRSC0810A
¥ 57000

产品特点 Product Features

BRTIRSC0603A/BRTIRSC0810A是伯朗特机器人股份有限公司针对某些单调、频繁和重复的长时间作业等而开发的一款水平四轴机器人,其拥有600mm/800mm臂展,最大负载可达3kg/10kg。具有多自由度的灵活性,主要用于印刷包装、金属加工、轻纺家居、电子装备等领域。
防护等级高——IP50,防尘。
精度高——重复定位精度±0.02mm。

BRTIRSC0603A/BRTIRSC0810A type robot is a four axis robot that developed for some monotonous, frequent and repetitive long-term operations.The maximum arm length is 600mm/800mm. The maximum load is 3KG/10KG.It's flexible with multiple degrees of freedom. Suitable for printing and packaging, metal processing, textile home furnishing, electronic equipment, and other fields.
The protection grade reaches IP50.Dust-proof.
The repeat positioning accuracy is ±0.02mm.



BRTIRSC0810A

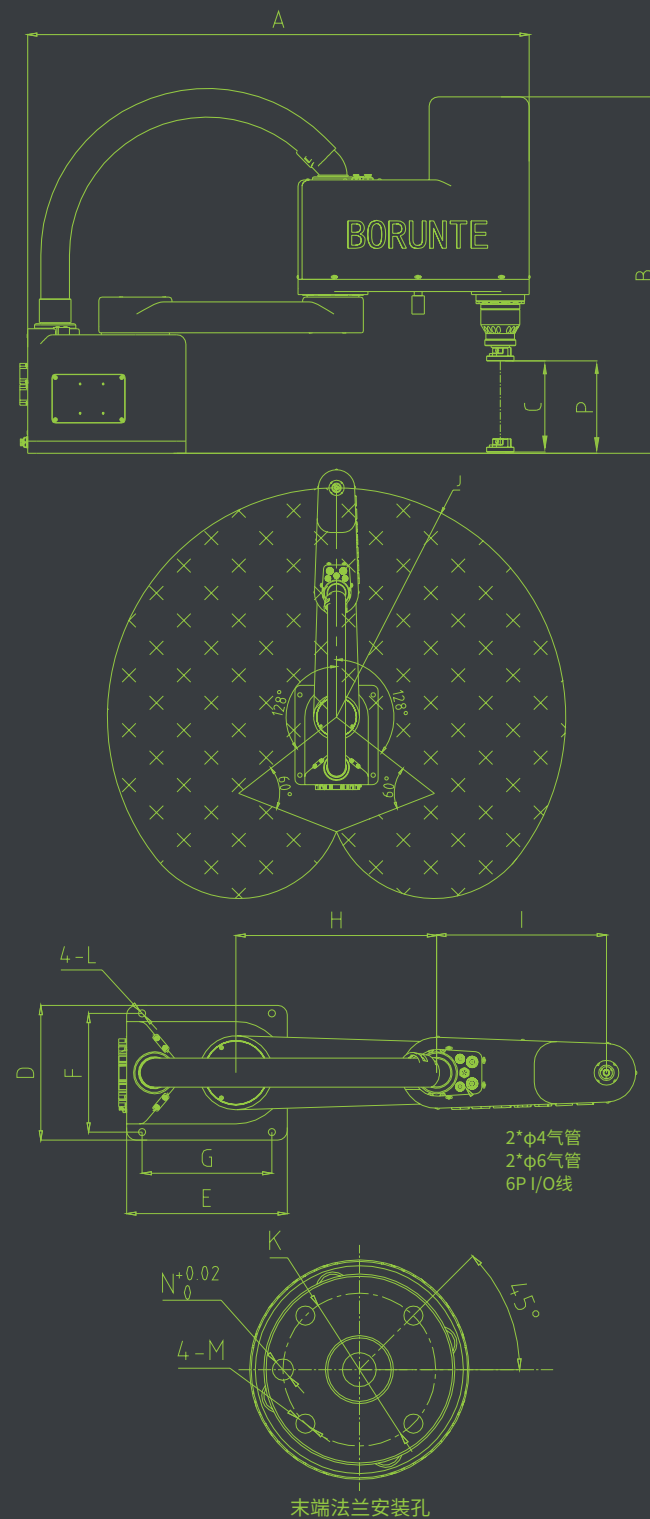
主要规格 Main Specification

机型Model	项目Item	手臂Arm				臂展(mm) Arm Length	负载(KG) Loading ability	重复定位精度 (mm)	电源容量(KVA) Power Source	本体重量 (KG) Net Weight
		J1	J2	J3	J4					
BRTIRSC0603A	范围 Range(°)	±128°	±145°	150mm	±360°	600	3	±0.02	1.94	约28
	最大速度 Max.Speed(#/s)	480°/s	576°/s	900mm/s	696°/s					
BRTIRSC0810A	范围 Range(°)	±130°	±140°	160mm	±360°	800	10	±0.02	4.1	约73
	最大速度 Max.Speed(#/s)	300°/s	428°/s	1231mm/s	1870°/s					

机型	A	B	C	D	E	F	G	H	I	J	K	L	M	N	P
BRTIRSC0603A	824.5	586	150	218	260	192	210	325	275	R600	φ36	φ11.5	M5	φ5	152
BRTIRSC0810A	1139	650	160	310	380	260	340	350	450	R800	φ43	φ14.5	M5	/	271

因改良等原因,规格及外观有所变更时,不再另行通知,敬请谅解。

Without further notice if specification and exterior have been changed because of improvement.Thanks for your understanding.



末端法兰安装孔

BRTIRPL Series

四轴机器人
Four-axis Robot

¥ 57000



产品特点
Product Features

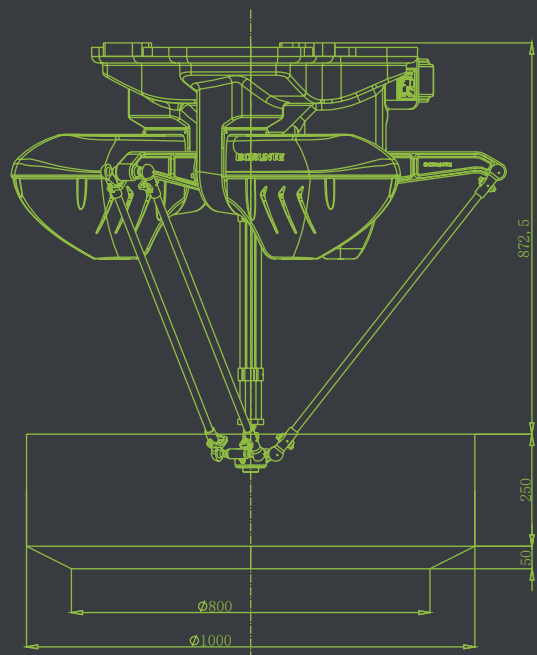
BRTIRPL1003A是伯朗特机器人股份有限公司首款针对轻小散乱物料的装配、分拣等应用场景开发的四轴并联机器人,可以搭配视觉,其拥有1000mm臂展,最大负载可达3kg。防护等级高—IP50,防尘。精度高—重复定位精度±0.1mm。

BRTIRPL1003A type robot is a four axis parallel robot that developed for assembly, sorting and other application scenarios of light, small and scattered materials. The maximum arm length is 1000mm and the maximum load is 3KG. High protection grade -- IP50. Dust-proof. The repeat positioning accuracy is ±0.1mm.

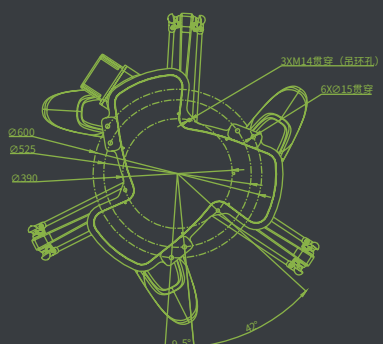
主要规格 Main Specification

产品型号 Model	项目 Item	主动臂Master Arm		末端End	臂长 Arm Length	负载 Loading ability	位置重复定位精度 Accuracy of position	角度重复定位精度 Angle repeat positioning	允许负载最大转动惯量 Maximum allowable moment of inertia of load	电源电容 Power Source	本体重量 (KG) Net Weight
		上摆Upper	下摆 Hem	J4							
BRTIRPL1003A	臂长 (mm) Arm Length	安装面-行程区域距872.5mm			1000mm	3KG	±0.1mm	±0.5°	0.01KG/m ²	3.3KVA	约103
	范围Range (#°)	46.7°	86.6°	±360°							
	节拍 (次/min)	行程: 25/305/25 (mm)		150次/min							

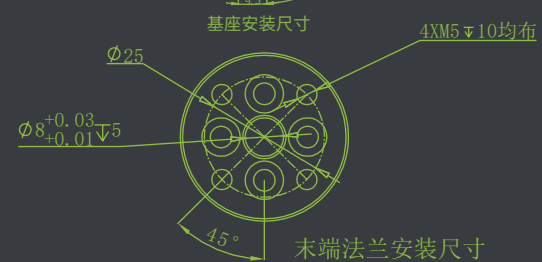
因改良等原因,规格及外观有所变更时,不再另行通知,敬请谅解。
Without further notice if specification and exterior have been changed because of improvement.Thanks for your understanding.



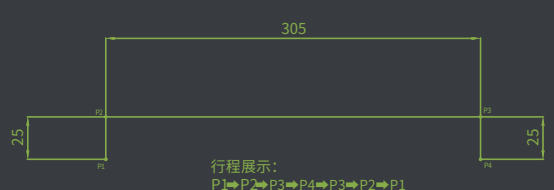
工作行程



底座安装尺寸



末端法兰安装尺寸



BRTIRPZ Series

四/五轴机器人
Four-axis Robot

BRTIRPZ1508A
¥ 57000

BRTIRPC1508A
¥ 120000

产品特点
Product Features

BRTIRPZ1508A/BRTIRPC1508A采用全伺服电机驱动,响应速度快,精度高。其最大负载为8KG,最大臂展可达1500mm。以紧凑的结构实现大范围动作,运动灵活,精准。

用途:在工业生产中能代替人做某些单调、频繁和重复的长时间作业,或是危险、恶劣环境下的作业,例如在冲压机、压力铸造、热处理、焊接、涂装、塑料制品成形、机械加工和简单装配等工序上,以及在原子能工业等部门中,完成对人体有害物料的搬运或工艺操作等,完美完成上下料工艺。防护等级高—IP50,防尘。精度高—重复定位精度±0.05mm。

BRTIRPZ1508A/BRTIRPC1508A applies full servo motor drive with fast response and high position accuracy. The maximum load is 8KG, the maximum arm length is 1500mm. Compact structure achieves a wide range of movements, flexible sports, precise.

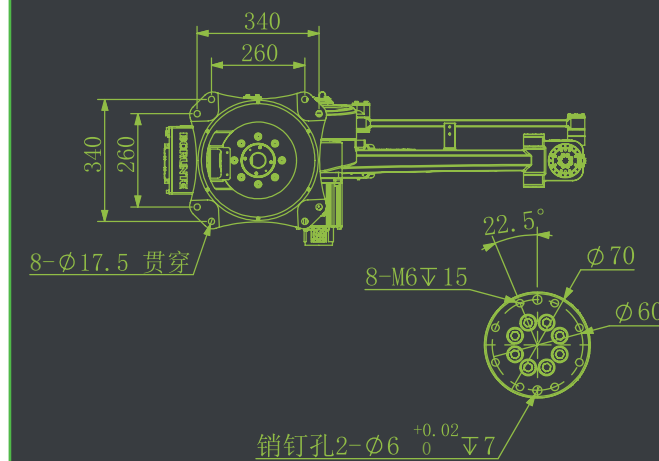
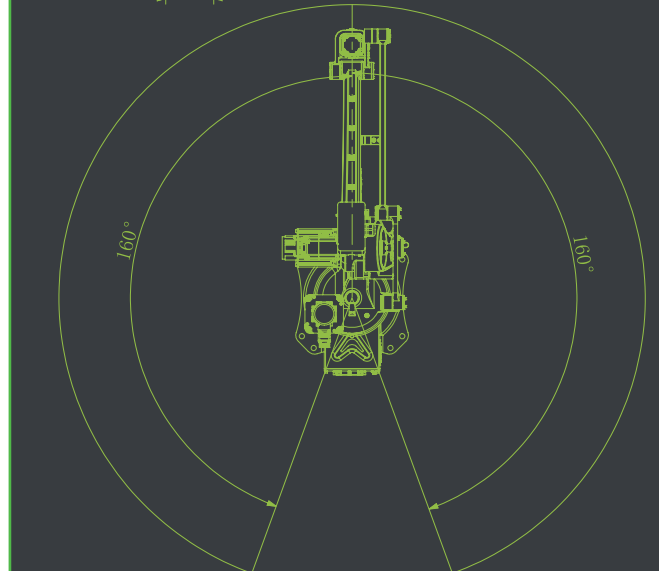
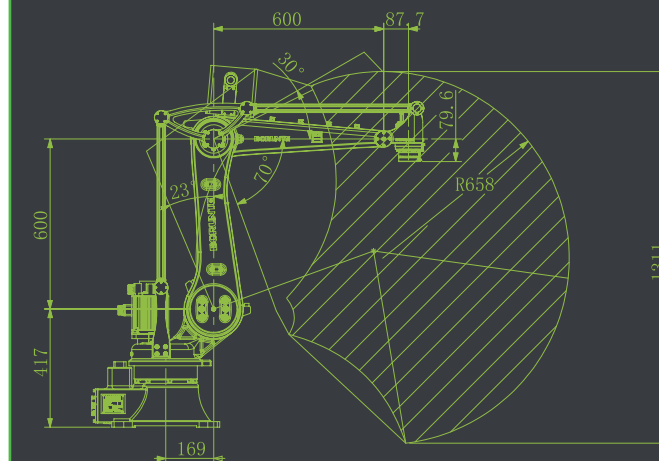
Suitable for dangerous and harsh environments, such as stamping, pressure casting, heat treatment, welding, painting, plastic molding, machining and simple assembly processes. And in the atomic energy industry, completing the handling of hazardous materials and others. It is suitable for punching. The protection grade reaches IP50.Dust-proof. The repeat positioning accuracy is ±0.05mm.



主要规格 Main Specification

机型Model	项目Item	手臂Arm			手腕Wrist			臂展(mm) Arm Length	负载(KG) Loading ability	重复定位精度 (mm) Repeatability	电源容量(KVA) Power Source	本体重量 (KG) Net Weight
		J1	J2	J3	J4	J5	R34					
BRTIRPZ1508A	臂展Arm Length(mm)	地面-2轴距 417mm	2-3轴距 600mm	3-4轴距 600mm				1500	8	±0.05	5.3	约150
	范围Range(#°)	±160°	-70°/+23°	-70°/+30°	±360°	/	60°-165°					
	最大速度Max.Speed(#°/s)	219.8°/s	222.2°/s	272.7°/s	412.5°/s	/	/					
BRTIRPC1508A	范围Range(#°)	±160°	-70°/+23°	-70°/+30°	±90°	±360°	60°-165°	1500	8	±0.05	5.27	约155
	最大速度Max.Speed(#°/s)	219.8°/s	222.2°/s	272.7°/s	412.5°/s	412.5°/s	/					

因改良等原因,规格及外观有所变更时,不再另行通知,敬请谅解。
Without further notice if specification and exterior have been changed because of improvement.Thanks for your understanding.



产品特点 Product Features

BRTIRPZ1825A是伯朗特机器人股份有限公司针对某些单调、频繁和重复的长时间作业，或是危险、恶劣环境下的作业等而开发的一款四轴码垛机器人，其拥有1800mm臂展，最大负载可达25kg。具有多自由度的灵活性，对上下料、搬运、拆垛、码垛等场景能够应对自如。防护等级高-IP50 防尘。精度高—重复定位精度±0.08mm。

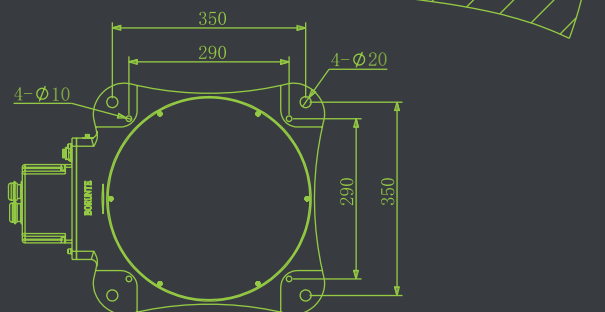
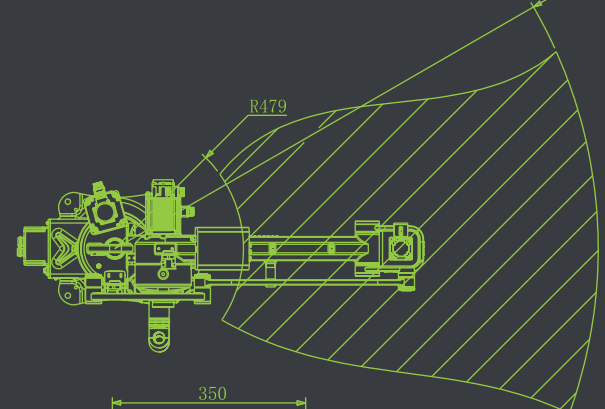
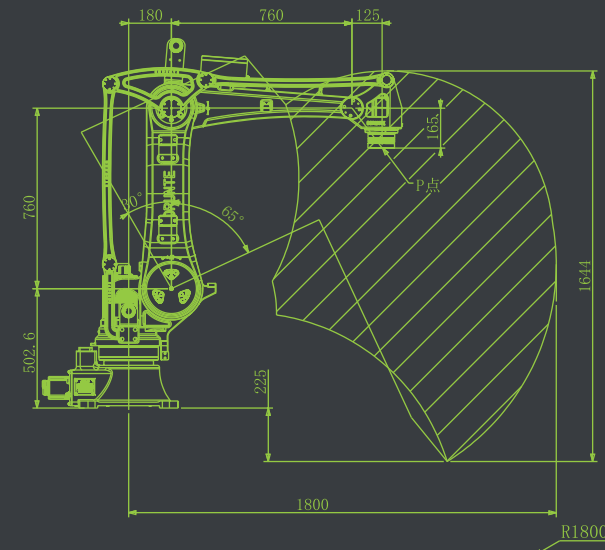
BRTIRPZ1825A type robot is a four-axis stacking robot that developed for some monotonous, frequent and repetitive long-term operations or operations in dangerous and harsh environments. The maximum arm length is 1800mm. The maximum load is 25KG. It's flexible with multiple degrees of freedom. Suitable for loading and unloading, handling, dismantling and stacking etc. The protection grade reaches IP50. Dust-proof. The repeat positioning accuracy is ±0.08mm.



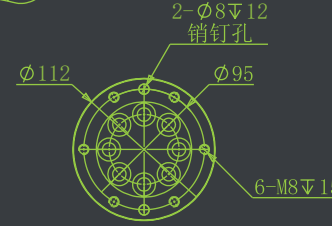
主要规格 Main Specification

机型Model	项目Item	手臂Arm			手腕Wrist		臂展(mm) Arm Length	负载(KG) Loading ability	重复定位精度 (mm) Repeatability	电源容量(KVA) Power Source	本体重量 (KG) Net Weight
		J1	J2	J3	J4	R34					
BRTIRPZ1825A	臂展Arm Length(mm)	地面-2轴距 502.6mm		2-3轴距 760mm			1800	25	±0.08	6	约256
	范围 Range(#°)	±155°	-70°/+30°	-62°/+25°	±360°	60°-170°					
	最大速度 Max.Speed(#°/s)	175°/s	135°/s	123°/s	300°/s	/					

因改良等原因，规格及外观有所变更时，不再另行通知，敬请谅解。
Without further notice if specification and exterior have been changed because of improvement.Thanks for your understanding.



底座安装尺寸



末端法兰孔

产品特点 Product Features

BRTIRPZ2250A是伯朗特机器人股份有限公司针对某些单调、频繁和重复的长时间作业，或是危险、恶劣环境下的作业等而开发的一款四轴码垛机器人，其拥有2200mm臂展，最大负载可达50kg。具有多自由度的灵活性，对上下料、搬运、拆垛、码垛等场景能够应对自如。防护等级高-IP50,防尘。精度高—重复定位精度±0.1mm。

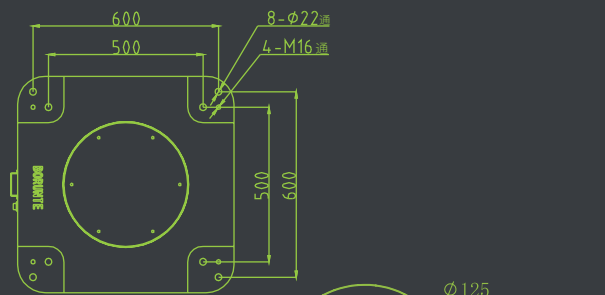
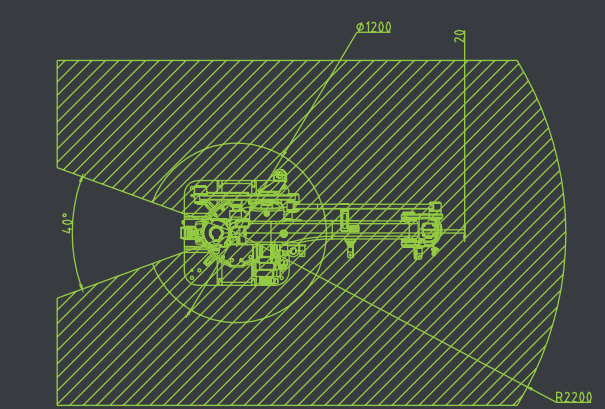
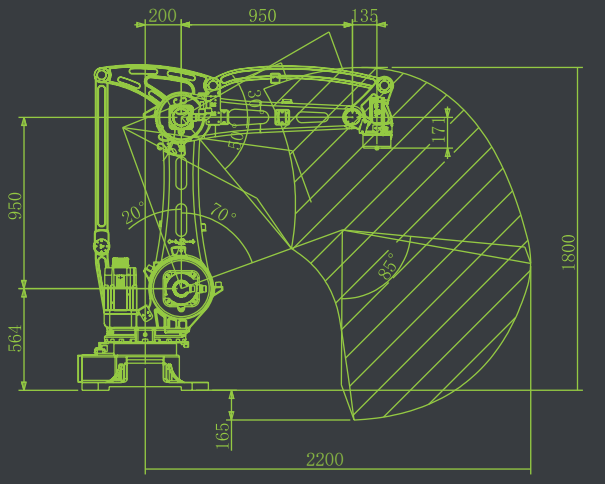
BRTIRPZ2250A type robot is a stacking robot that developed for some monotonous, frequent and repetitive long-term operations or operations in dangerous and harsh environments. The maximum arm length is 2200mm. The maximum load is 50KG. It's flexible with multiple degrees of freedom. Suitable for loading and unloading, handling, dismantling and stacking etc. The protection grade reaches IP50. Dust-proof. The repeat positioning accuracy is ±0.1mm.



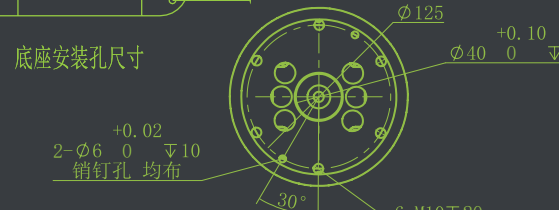
主要规格 Main Specification

机型Model	项目Item	手臂Arm			手腕Wrist		臂展(mm) Arm Length	负载(KG) Loading ability	重复定位精度 (mm) Repeatability	电源容量(KVA) Power Source	本体重量 (KG) Net Weight
		J1	J2	J3	J4	R34					
BRTIRPZ2250A	臂展Arm Length(mm)	地面-2轴距 564mm	2-3轴距 950mm	3-4轴距 950mm	4轴-端面距 135mm		2200	50	±0.1	12.94	约560
	范围 Range(#°)	±160°	-70°/+20°	-50°/+30°	±360°	65°-160°					
	最大速度 Max.Speed(#°/s)	84°/s	70°/s	108°/s	198°/s	/					

因改良等原因，规格及外观有所变更时，不再另行通知，敬请谅解。
Without further notice if specification and exterior have been changed because of improvement.Thanks for your understanding.



底座安装孔尺寸



末端法兰安装尺寸

BRTIRUS Series

六轴机器人
Six-axis Robot

¥ 120000

产品特点 Product Features

BRTIRUS0401A是伯朗特机器人股份有限公司针对微小型零部件作业环境设计的,适用于小型零部件组装、分拣、检测等作业,额定负载1KG,臂展465mm,在同等级负载的六轴机器人中具有最高水平运行速度和较为广泛的运行范围,具有高精度、高速度和高灵活性的特点。

防护等级高——IP54,防尘防水。
精度高—重复定位精度±0.02mm。

BRTIRUS0401A is designed by Braun Robot Co., Ltd. for the operation environment of micro and small parts. It is suitable for small parts assembly, sorting, detection and other operations. The rated load is 1KG, the arm span is 465mm, and it has the highest level of operation speed and a wide range of operation among six-axis robots with the same load. It features high precision, high speed and high flexibility.

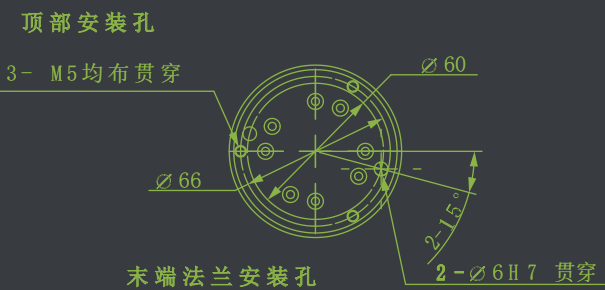
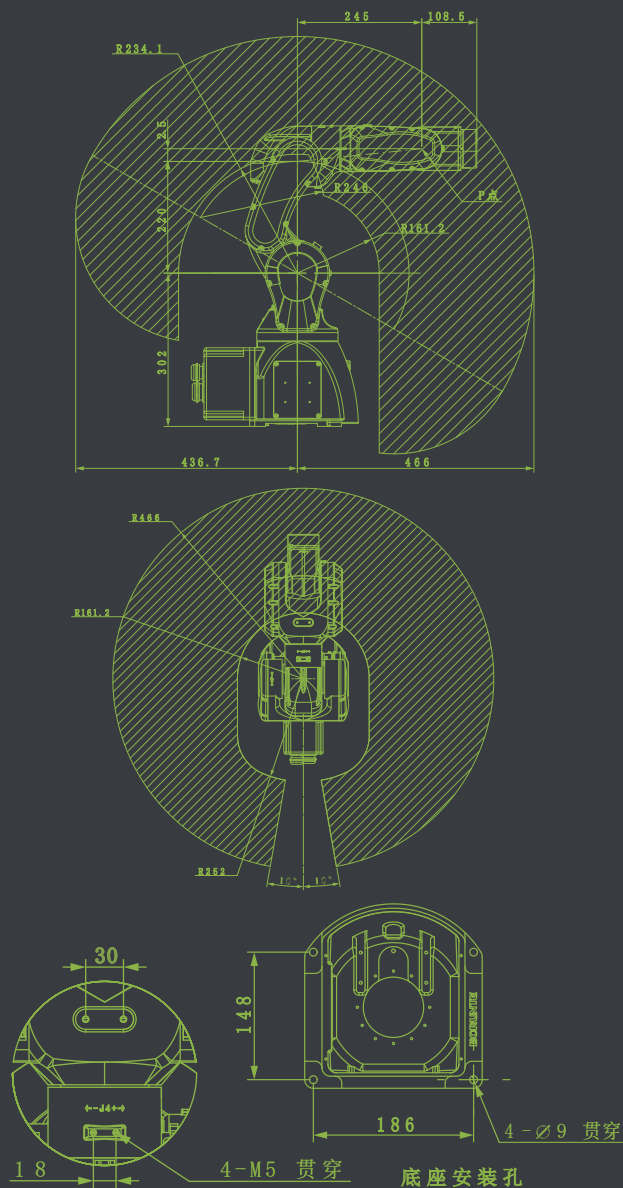
The protection grade reaches IP54.
Dust-proof and water-proof.
The repeat positioning accuracy is ±0.02mm.



主要规格 Main Specification

机型Model	项目Item	手臂Arm			手腕Wrist			臂展(mm) Arm Length	负载(KG) Loading ability	重复定位精度 (mm) Repeatability	电源容量 (KVA) Power Source	本体重量 (KG) Net Weight
		J1	J2	J3	J4	J5	J6					
BRTIRUS0401A	臂展Arm Length(mm)	地面-2轴距 302mm		2-3轴距 220mm		3-5轴距 245mm	5轴-端面距 108.5mm	465	1	±0.02	1	约20
	范围Range(#)	±160°	-60°/+120°	-210°/+50°	±180°	±120°	±360°					
	最大速度Max.Speed(#/s)	375°/s	297°/s	375°/s	562.5°/s	600°/s	600°/s					

因改良等原因,规格及外观有所变更时,不再另行通知,敬请谅解。
Without further notice if specification and exterior have been changed because of improvement.Thanks for your understanding.



BRTIRUS Series

六轴机器人
Six-axis Robot

¥ 57000

产品特点 Product Features

BRTIRUS0805A型机器人是伯朗特机器人第三代,整个系统操作简单、结构紧凑、定位精度高、动态性能好,其5kg的负载能力尤其适用于注塑、取件、冲压、搬运、上下料、装配等领域。

适用于注塑30T-250T。
防护等级高——IP54,防尘防水。
精度高—重复定位精度±0.05mm。

BRTIRUS0805A type robot is BORUNTE' s the third generation of robots. The whole operation system is simple, compact structure, high position accuracy and has good dynamic performance. The load ability is 5kg, especially suitable for injection molding, taking, stamping, handling, loading and unloading, assembly, etc.

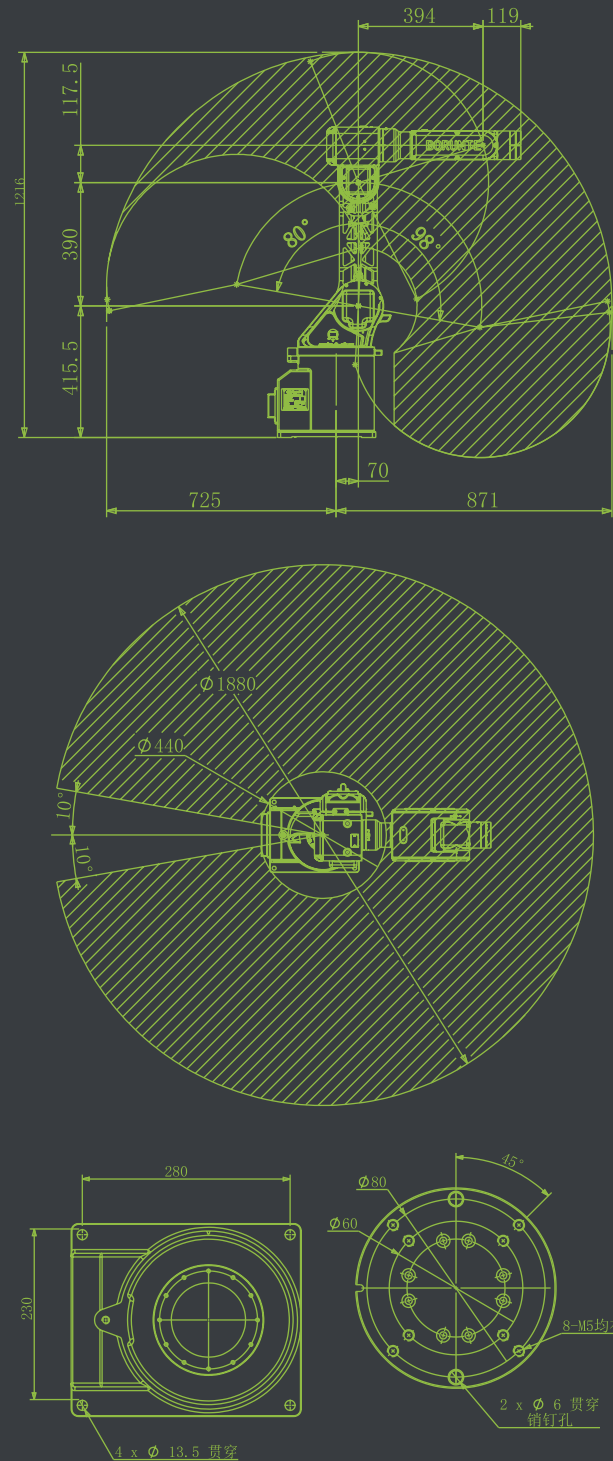
It is suitable for injection molding machine range from 30Ton to 250Ton.
The protection grade reaches IP54.
Dust-proof and water-proof.
The repeat positioning accuracy is ±0.05mm.



主要规格 Main Specification

机型Model	项目Item	手臂Arm			手腕Wrist			臂展(mm) Arm Length	负载(KG) Loading ability	重复定位精度 (mm) Repeatability	电源容量(KVA) Power Source	本体重量 (KG) Net Weight
		J1	J2	J3	J4	J5	J6					
BRTIRUS0805A	臂展Arm Length(mm)	地面-2轴距 415.5mm		2-3轴距 390mm		3-5轴距 394mm	5轴-端面距 119mm	940	5	±0.05	2.8	约53
	范围Range(#)	±170°	-98°/+80°	-80°/+95°	±180°	±120°	±360°					
	最大速度Max.Speed(#/s)	237°/s	267°/s	370°/s	337°/s	600°/s	588°/s					

因改良等原因,规格及外观有所变更时,不再另行通知,敬请谅解。
Without further notice if specification and exterior have been changed because of improvement.Thanks for your understanding.



礼品特点 Product Features

BRTIRWD1506A是伯朗特机器人股份有限公司针对焊接应用行业开发的六轴机器人。机器人结构紧凑、体积小、重量轻、最大负载6KG、臂展1600mm。腕部采用中空结构，走线更方便、动作更灵活。防护等级高—手腕 IP54、本体 IP50,防尘防水。精度高—重复定位精度±0.05mm。

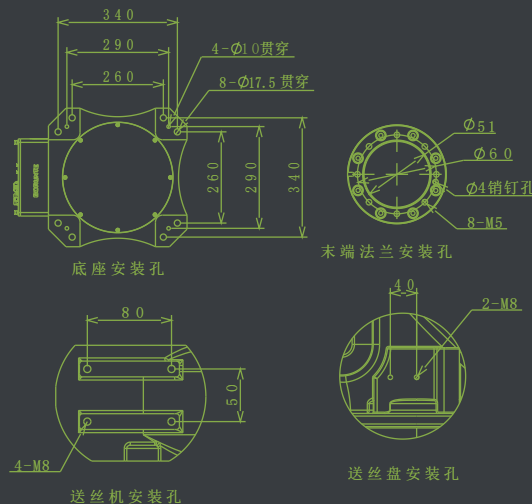
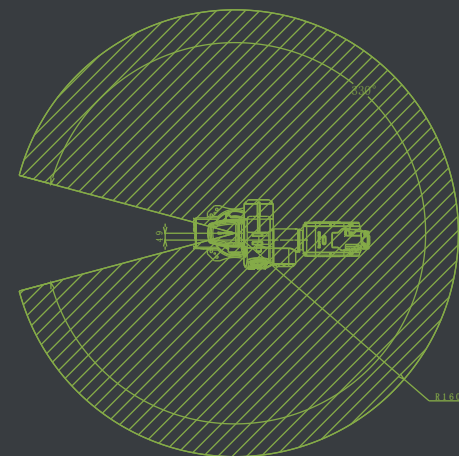
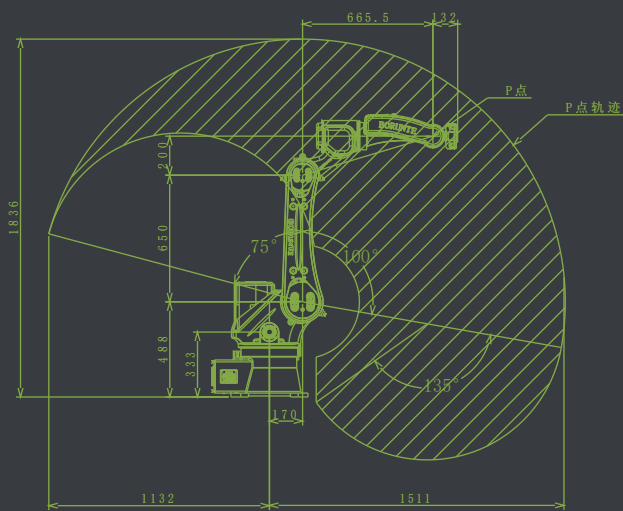
BRTIRWD1506A six axis industrial robot is BORUNTE ROBOT Co.,Ltd. designed for the development of the welding application industry. The robot has compact structure, small volume and light weight. The maximum load is 6KG, the maximum arm length is 1600mm. The wrist applies hollow structure with more convenient trace and flexible action. The protection grade reaches IP54 at the end and IP50 at the body. Dust-proof and water-proof. The repeat positioning accuracy is ±0.05mm.



主要规格 Main Specification

机型Model	项目Item	手臂Arm			手腕Wrist			臂展(mm) Arm Length	负载(KG) Loading ability	重复定位精度 (mm) Repeatability	电源容量 (KVA) Power Source	本体重量 (KG) Net Weight
		J1	J2	J3	J4	J5	J6					
BRTIRWD1506A	臂展Arm Length(mm)	1-2轴水平距 170mm	地面-2轴距 488mm	2-3轴距 650mm	3-5轴垂直距 200mm	3-5轴水平距 625.5mm	5轴-法兰端面距132mm	1600	6	±0.05	3.8	约166
	范围 Range(#°)	±165°	-75°/+100°	±82°	±150°	±110°	±360°					
	最大速度 Max.Speed(#°/s)	163°/s	148°/s	223°/s	168°/s	270°/s	703°/s					

因改良等原因，规格及外观有所变更时，不再另行通知，敬请谅解。
Without further notice if specification and exterior have been changed because of improvement.Thanks for your understanding.



礼品特点 Product Features

BRTIRWD1606A六轴工业机器人是一款针对焊接应用行业开发的六轴机器人。机器人的外形结构紧凑，体积小、重量轻、其最大负载6KG、臂展1600mm。腕部采用中空结构，走线更方便、动作更灵活。一二三关节均安装了高精度减速机，四五六关节均采用了高精度齿轮结构，高速的关节速度能进行灵活的作业。防护等级高—IP54,防尘防水。精度高—重复定位精度±0.05mm。

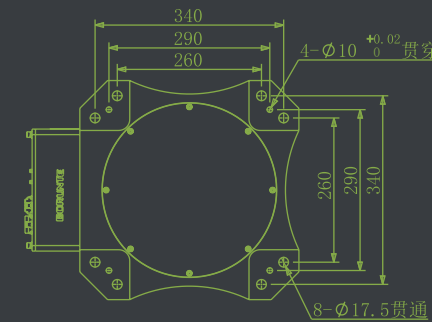
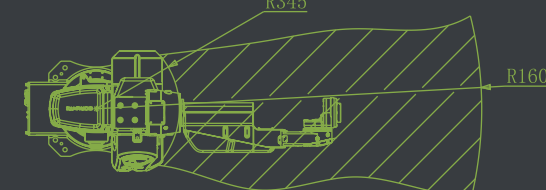
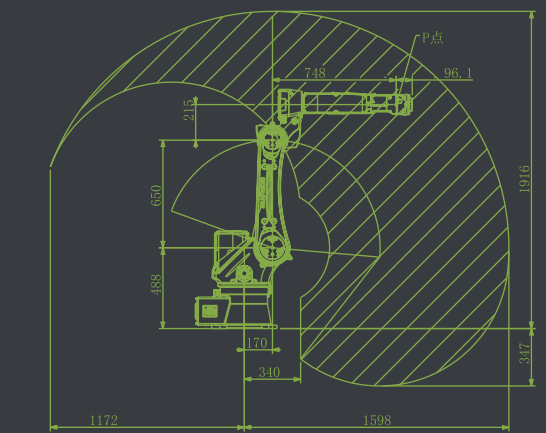
BRTIRWD1606A Six-axis industrial robot is a six-axis robot developed for welding application industry.The robot is compact in shape, small in size and light in weight. Its maximum load is 6KG and its arm span is 1600mm.Wrist hollow structure, more convenient line, more flexible action.One, two and three joints are installed with high-precision reducer, four and six joints are equipped with high-precision gear structure, high-speed joint speed can be flexible operation. The protection grade reaches IP54. Dust-proof and water-proof. The repeat positioning accuracy is ±0.05mm.



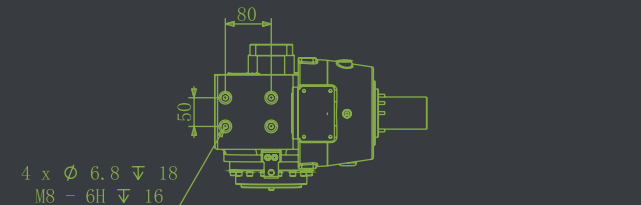
主要规格 Main Specification

机型Model	项目Item	手臂Arm			手腕Wrist			臂展(mm) Arm Length	负载(KG) Loading ability	重复定位精度 (mm) Repeatability	电源容量 (KVA) Power Source	本体重量 (KG) Net Weight
		J1	J2	J3	J4	J5	J6					
BRTIRWD1606A	臂展Arm Length(mm)	地面-2轴距 170mm	1-2轴距 170mm	2-3轴距 650mm	3-4轴距 215mm	3-5轴距 748mm	5轴-端面距 96.1mm	1600	6	±0.05	6	约167
	范围 Range(#°)	±165°	-95°/+70°	±90°	±155°	±130°	±360°					
	最大速度 Max.Speed(#°/s)	163°/s	148°/s	223°/s	250°/s	300°/s	500°/s					

因改良等原因，规格及外观有所变更时，不再另行通知，敬请谅解。
Without further notice if specification and exterior have been changed because of improvement.Thanks for your understanding.



底座安装尺寸



送丝机安装孔尺寸



末端安装孔尺寸

产品特点 Product Features

BRTIRUS1820A是伯朗特机器人股份有限公司针对多自由度的复杂应用而开发的六轴机器人,其最大负载可达20kg,拥有1850mm臂展。采用轻量式手臂设计,机械结构紧凑、简洁,在高速运动状态下,能够在狭小工作空间内进行灵活作业,满足柔性化生产需要。具有六个自由度的灵活性,对上下料、注塑、压铸、装配、涂胶、打磨、检测等场景能够随心所欲。适用于注塑机:500T-1300T。防护等级高-手腕 IP54、本体 IP50,防尘防水。精度高-重复定位精度±0.05mm。

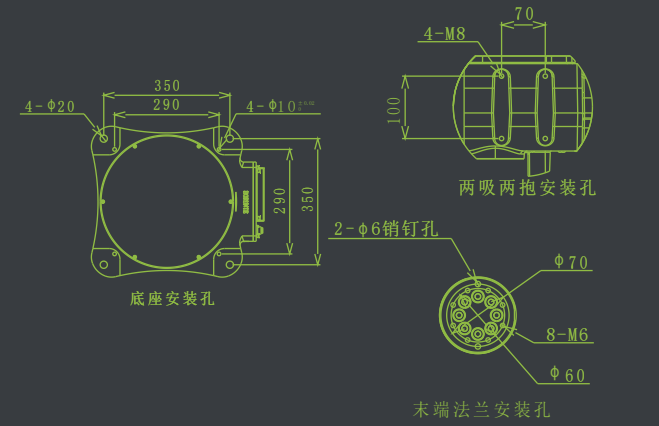
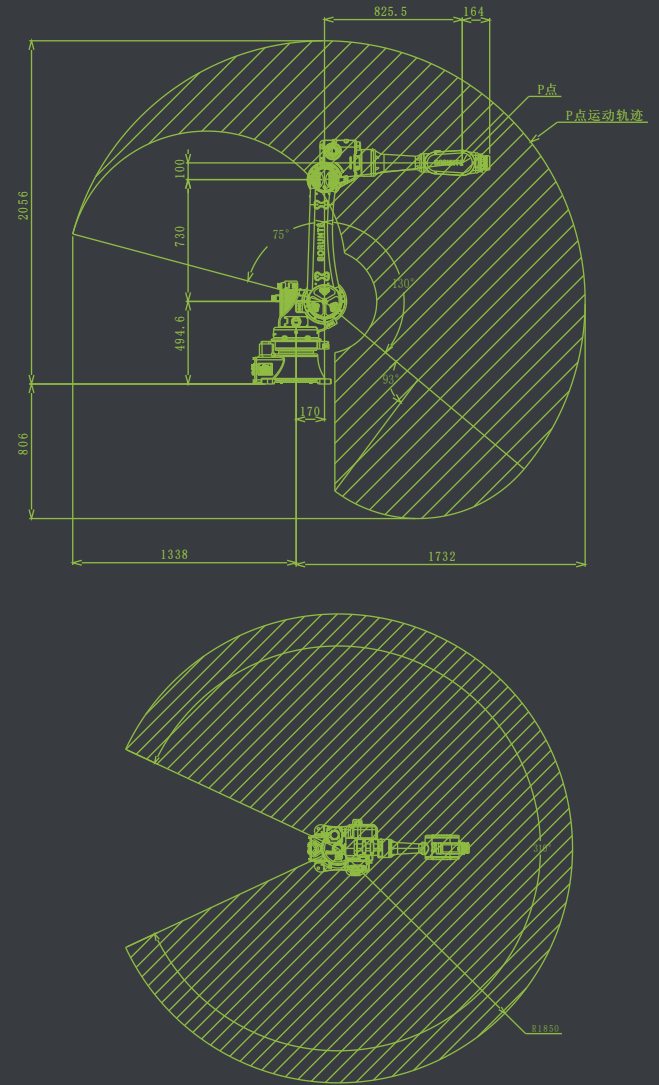
BRTIRUS1820A is a six-axis robot developed by BORUNTE ROBOT Co.,Ltd. for complex applications with multiple degrees of freedom. The maximum load is 20KG, the maximum arm length is 1850mm. Lightweight arm design, compact mechanical structure, simple, in the state of high speed movement, can be carried out in a small workspace flexible work, meet the needs of flexible production. It has six degrees of flexibility.Suitable for loading and unloading, injection machine, die casting, assembling, coating industry, polishing, detection etc. It is suitable for injection molding machine range from 500 Ton to 1300 Ton. The protection grade reaches IP54 at the end and IP50 at the body. Dust-proof and water-proof. The repeat positioning accuracy is ±0.05mm.



主要规格 Main Specification

机型Model	项目Item	手臂Arm			手腕Wrist			臂展(mm) Arm Length	负载(KG) Loading ability	重复定位精度 (mm) Repeatability	电源容量(KVA) Power Source	本体重量 (KG) Net Weight
		J1	J2	J3	J4	J5	J6					
BRTIRUS1820A	臂展Arm Length(mm)	地面-2轴距 494.6mm		2-3轴距 730mm		3-5轴距 825.5mm	5轴-端面距 117mm	1850	20	±0.05	6.2	约230
	范围 Range(#°)	±155°	-130°/+75°	-75°/+135°	±180°	±115°	±360°					
	最大速度 Max.Speed(#°/s)	122°/s	162°/s	136°/s	273°/s	300°/s	375°/s					

因改良等原因,规格及外观有所变更时,不再另行通知,敬请谅解。
Without further notice if specification and exterior have been changed because of improvement.Thanks for your understanding.



产品特点 Product Features

BRTIRUS2110A是伯朗特机器人股份有限公司针对焊接应用行业开发的一款六轴工业机器人,其拥有2110mm长臂展,最大负载可达10kg。具有六个自由度的灵活性,对焊接、上下料、装配等场景能够应对自如。防护等级高-手腕IP54、本体 IP50,防尘防水。精度高-重复定位精度±0.05mm。

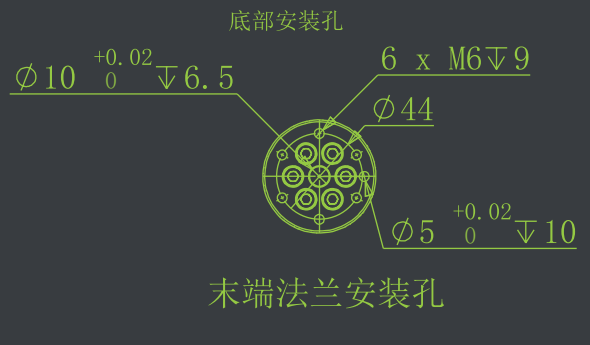
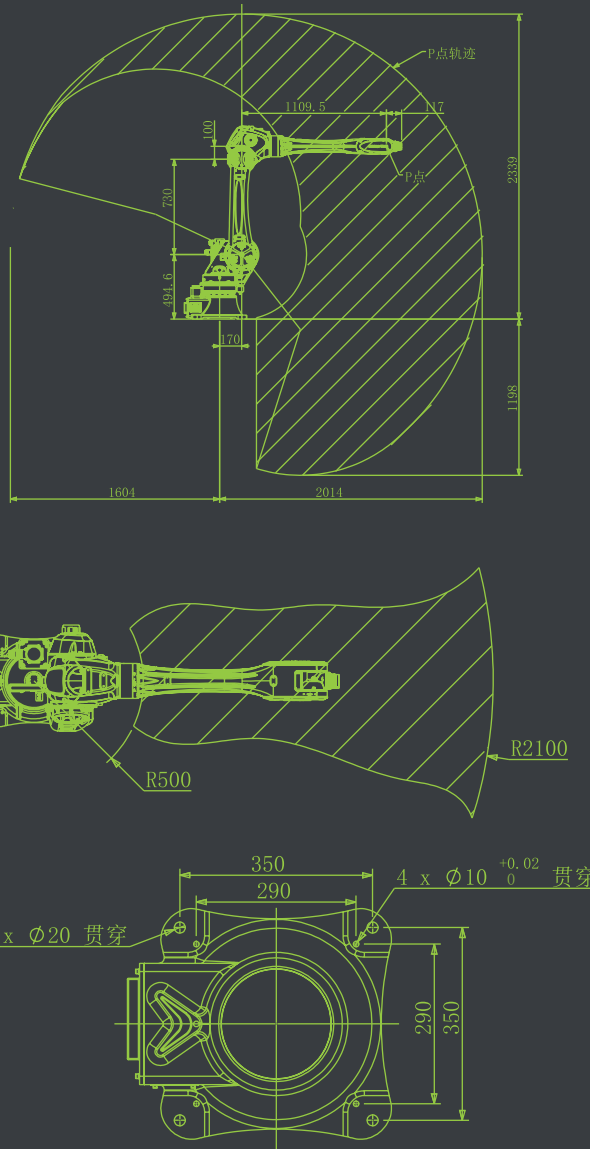
BRTIRUS2110A type robot is a six axis robot that designed for the development of the welding application industry. The maximum arm length is 2110mm. The maximum load is 10KG. It has six degrees of flexibility.Suitable for welding, loading and unloading, assembling etc. The protection grade reaches IP54 at the end and IP50 at the body. Dust-proof and water-proof. The repeat positioning accuracy is ±0.05mm.



主要规格 Main Specification

机型Model	项目Item	手臂Arm			手腕Wrist			臂展(mm) Arm Length	负载(KG) Loading ability	重复定位精度 (mm) Repeatability	电源容量(KVA) Power Source	本体重量 (KG) Net Weight
		J1	J2	J3	J4	J5	J6					
BRTIRUS2110A	臂展Arm Length(mm)	地面-2轴距 494.6mm		2-3轴距 730mm		3-5轴距 1109.5mm	5轴-端面距 117mm	2100	10	±0.05	6	约230
	范围 Range(#°)	±155°	-140°/+65°	-75°/+110°	±180°	±115°	±360°					
	最大速度 Max.Speed(#°/s)	110°/s	146°/s	134°/s	273°/s	300°/s	336°/s					

因改良等原因,规格及外观有所变更时,不再另行通知,敬请谅解。
Without further notice if specification and exterior have been changed because of improvement.Thanks for your understanding.



BRTIRUS Series

六轴机器人
Six-axis Robot

¥ 200000

产品特点 Product Features

BRTIRUS2030A是伯朗特机器人股份有限公司针对多自由度复杂应用而开发的六轴工业机器人。其最大负载可达30KG,拥有2058mm臂展,六自由度的灵活性对注塑件取件、机床上下料、装配、搬运等场景能够应对自如。
防护等级高—手腕 IP54、本体 IP50,防尘防水。精度高—重复定位精度±0.05mm。
BRTIRUS2030A is a six-axis robot developed by BORUNTE ROBOT Co.,Ltd. for complex applications with multiple degrees of freedom. The maximum load is 30KG and the maximum arm length is 2058mm. The flexibility of six degrees of freedom can be used to handle the scenes such as injection parts taking, machine loading and unloading, assembly and handling.
The protection grade reaches IP54 at the end and IP50 at the body.
Dust-proof and water-proof.
The repeat positioning accuracy is ±0.05mm.

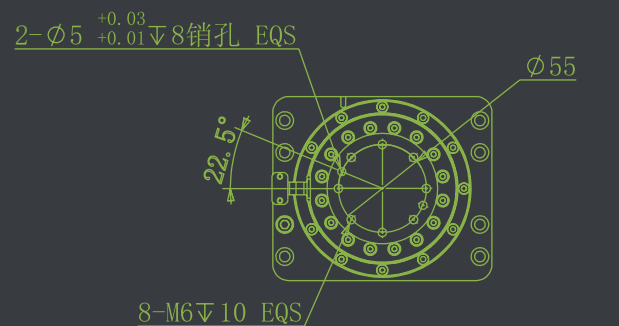
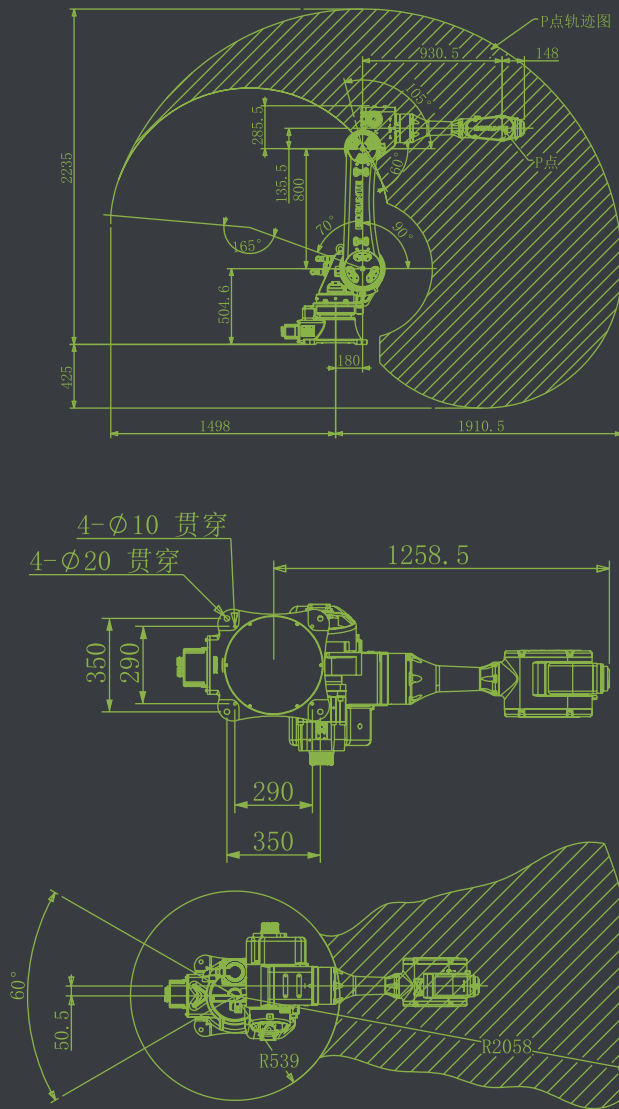


主要规格 Main Specification

机型Model	项目Item	手臂Arm			手腕Wrist			臂展(mm) Arm Length	负载(KG) Loading ability	重复定位精度 (mm) Repeatability	电源容量(KVA) Power Source	本体重量 (KG) Net Weight
		J1	J2	J3	J4	J5	J6					
BRTIRUS2030A	臂展Arm Length(mm)	地面-2轴距 540.6mm		2-3轴距 800mm	3-5轴距 930.5mm	5轴-端面距 148mm	2058	30	±0.05	10.16	约310	
	范围 Range(#)	±150°	-90°/+70°	-55°/+105°	±180°	±115°						±360°
	最大速度 Max.Speed(#/s)	102°/s	103°/s	123°/s	245°/s	270°/s						337°/s

因改良等原因,规格及外观有所变更时,不再另行通知,敬请谅解。

Without further notice if specification and exterior have been changed because of improvement.Thanks for your understanding.



BRTIRSE Series

六轴机器人
Six-axis Robot

¥ 285000

产品特点 Product Features

BRTIRSE2013A是伯朗特机器人股份有限公司针对喷涂应用行业开发的六轴机器人,其拥有2000mm超长臂展,最大负载可达13kg.该款机器人结构紧凑、高度灵活和技术先进,可以应用于广泛的喷涂领域。
防护等级高—手腕IP65,本体IP68,防尘防水防爆。精度高—重复定位精度±0.5mm。
BRTIRSE2013A is a six-axis robot developed by BORUNTE ROBOT CO., LTD. for the spraying application industry. It has an ultra-long arm span of 2000mm and a maximum load of 13kg.The compact, highly flexible and technologically advanced robot can be used in a wide range of spraying applications.
The protection grade reaches IP65 at the end and IP68 at the body.
Dust-proof, water-proof and explosion-proof.
The repeat positioning accuracy is ±0.5mm.

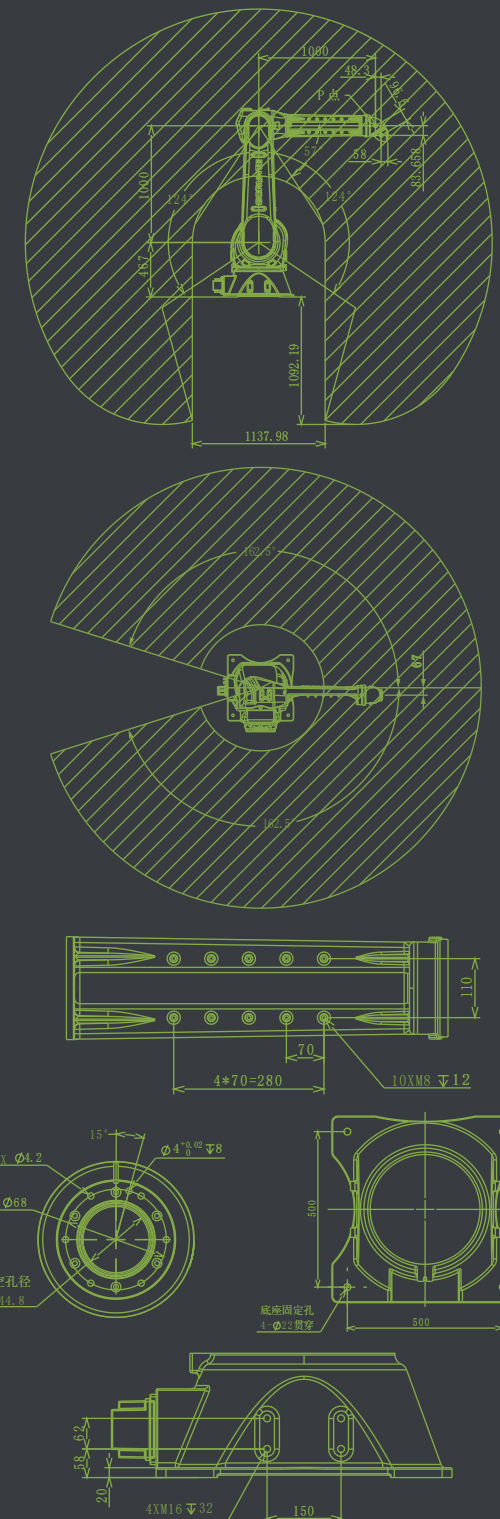


主要规格 Main Specification

机型Model	项目Item	手臂Arm			手腕Wrist			臂展(mm) Arm Length	负载(KG) Loading ability	重复定位精度 (mm) Repeatability	电源容量 (KVA) Power Source	本体重量 (KG) Net Weight
		J1	J2	J3	J4	J5	J6					
BRTIRSE2013A	臂展Arm Length(mm)	地面-2轴距 467m	/	2-3轴距 1000mm	3-5轴距 1000mm	5-6轴距 48.3mm	6轴-端面距 58mm	2000mm	13KG	±0.5mm	6.3	约400
	范围 Range(#)	±162.5°	±124°	-57°~+237°	±180°	±180°	±360°					
	最大速度 Max.Speed(#/s)	105°/s	105°/s	123°/s	473°/s	519°/s	613°/s					

因改良等原因,规格及外观有所变更时,不再另行通知,敬请谅解。

Without further notice if specification and exterior have been changed because of improvement.Thanks for your understanding.



产品特点 Product Features

BRTIRUS3030A六自由度工业机器人是一款通用型机器人,机器人的外形结构紧凑,各关节均安装了高精度减速机,高速的关节速度能进行灵活的作业,可以进行搬运、码垛、装配、注塑等作业,拥有灵活的安装方式。
 防护等级高—手腕 IP54、本体 IP50,防尘防水。
 精度高—重复定位精度±0.07mm。
 BRTIRUS3030A six degrees of freedom industrial robot is a general robot, the robot has a compact shape and structure, each joint is installed with a high precision reducer, high speed joint speed can be flexible operation, can carry out handling, palletizing, assembly, injection molding and other operations, has a flexible installation mode. The protection grade reaches IP54 at the end and IP50 at the body.
 Dust-proof and water-proof.
 The repeat positioning accuracy is ±0.07mm.



主要规格 Main Specification

机型Model	项目Item	手臂Arm			手腕Wrist			臂展(mm) Arm Length	负载(KG) Loading ability	重复定位精度 (mm) Repeatability	电源容量 (KVA) Power Source	本体重量 (KG) Net Weight
		J1	J2	J3	J4	J5	J6					
BRTIRUS3030A	臂展Arm Length(mm)	地面-2轴距 673mm		2-3轴距 1200mm		3-5轴距 1450mm	5轴-端面距 148mm	3000	30	±0.07	17.6	约830
	范围 Range(#°)	±160°	-105°/+60°	-75°/+115°	±180°	±120°	±360°					
	最大速度 Max.Speed(#°/s)	120°/s	120°/s	120°/s	245°/s	270°/s	337°/s					

因改良等原因,规格及外观有所变更时,不再另行通知,敬请谅解。
 Without further notice if specification and exterior have been changed because of improvement.Thanks for your understanding.

产品特点 Product Features

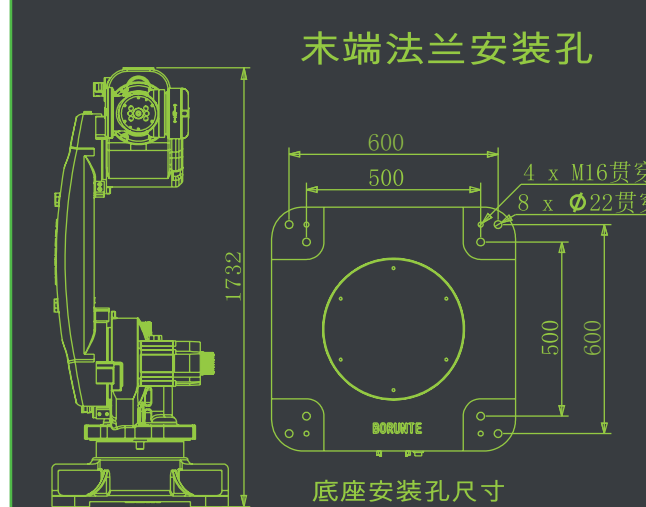
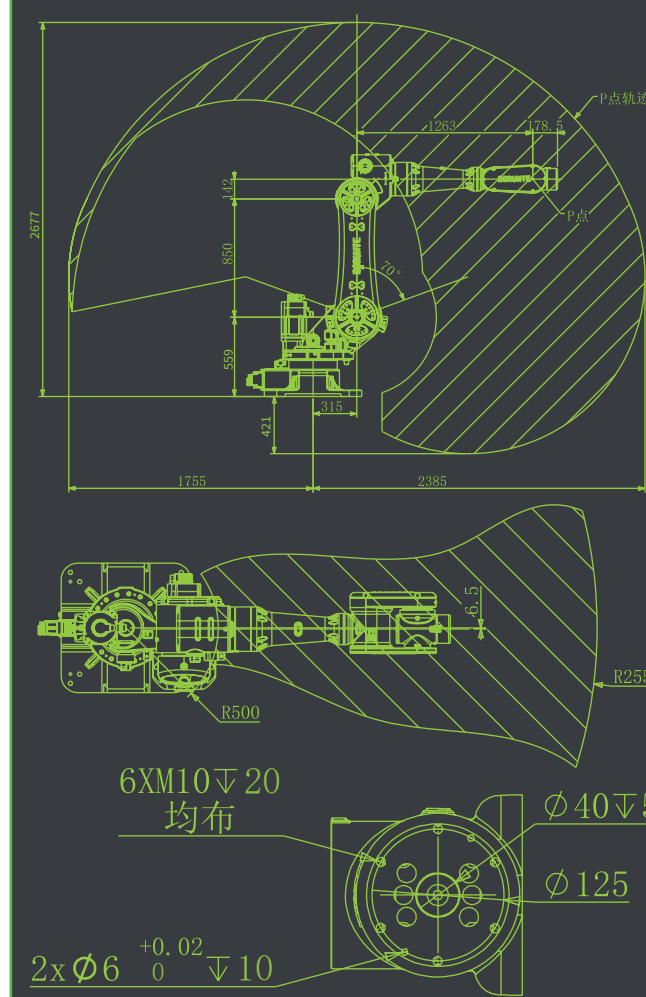
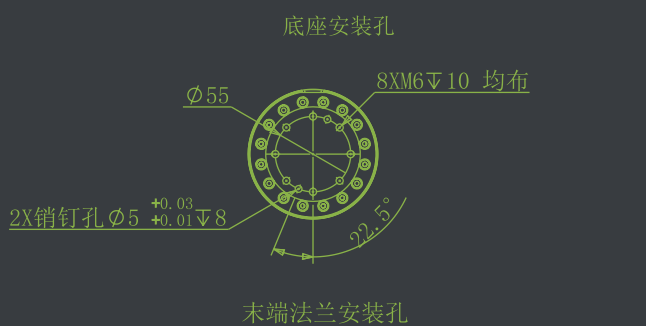
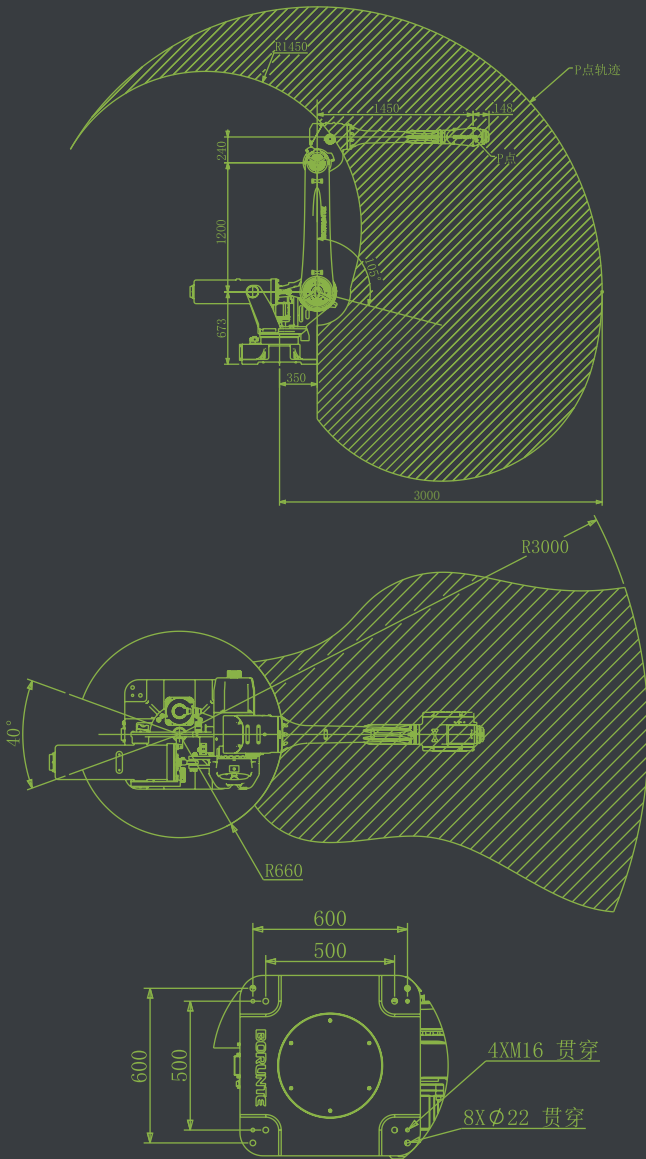
BRTIRUS2550A是伯朗特机器人股份有限公司针对多自由度的复杂应用而开发的一款六轴工业机器人,其拥有2550mm超长臂展,最大负载可达50kg。具有六个自由度的灵活性,对上下料、装配、注塑等场景能够应对自如。
 防护等级高-手腕IP54、本体 IP50,防尘防水。
 精度高—重复定位精度±0.1mm。
 BRTIRUS2550A type robot is a six axis robot that developed for some monotonous, frequent and repetitive long-term operations or operations in dangerous and harsh environments. The maximum arm length is 2550mm. The maximum load is 50KG.It has six degrees of flexibility. Suitable for loading and unloading, assembling, molding,stacking etc.
 The protection grade reaches IP54 at the end and IP50 at the body.
 Dust-proof and water-proof.
 The repeat positioning accuracy is ±0.1mm.



主要规格 Main Specification

机型Model	项目Item	手臂Arm			手腕Wrist			臂展(mm) Arm Length	负载(KG) Loading ability	重复定位精度 (mm) Repeatability	电源容量(KVA) Power Source	本体重量 (KG) Net Weight
		J1	J2	J3	J4	J5	J6					
BRTIRUS2550A	臂展Arm Length(mm)	地面-2轴距 559mm		2-3轴距 850mm		3-5轴距 1263mm	5轴-端面距 178.5mm	2550	50	±0.1	15.6	约725
	范围 Range(#°)	±160°	±70°	-75°/+115°	±180°	±125°	±360°					
	最大速度 Max.Speed(#°/s)	84°/s	52°/s	52°/s	245°/s	223°/s	223°/s					

因改良等原因,规格及外观有所变更时,不再另行通知,敬请谅解。
 Without further notice if specification and exterior have been changed because of improvement.Thanks for your understanding.





产品特点 Product Features

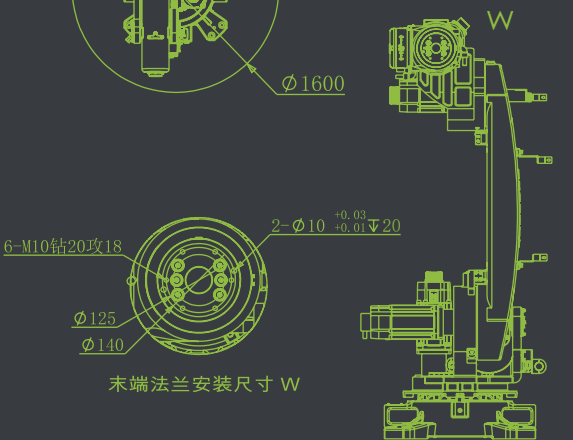
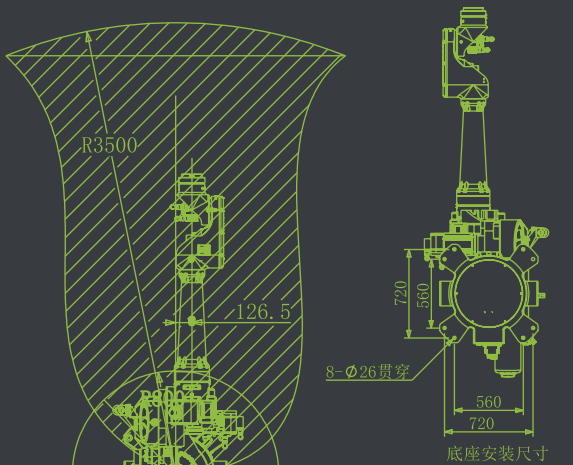
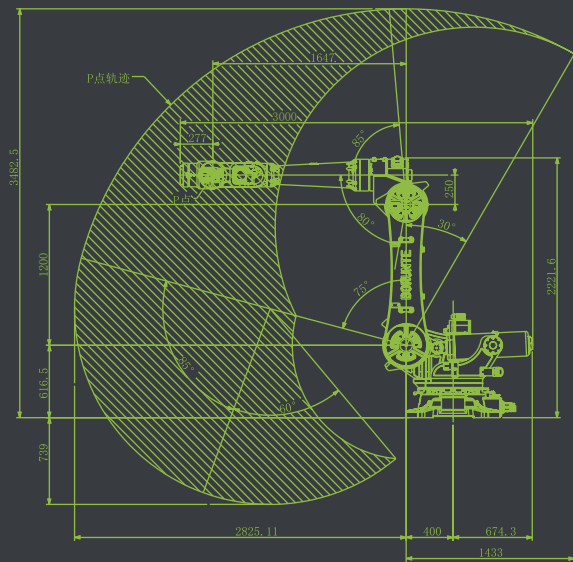
BRTIRUS3511A是伯朗特机器人股份有限公司针对某些单调、频繁和重复的长时间作业,或是危险、恶劣环境下的作业等而开发的一款六轴通用工业机器人,其拥有3500mm臂展,最大负载可达100kg。具有多自由度的灵活性,对上下料、搬运、码垛等场景能够应对自如。防护等级高-IP50,防尘。精度高-重复定位精度±0.2mm。

BRTIRUS3511A type robot is a six axis robot that developed for some monotonous, frequent and repetitive long-term operations or operations in dangerous and harsh environments. The maximum arm length is 3500mm. The maximum load is 100KG.It's flexible with multiple degrees of freedom. Suitable for loading and unloading, handling, stacking etc. The protection grade reaches IP50.Dust-proof. The repeat positioning accuracy is ±0.2mm.

主要规格 Main Specification

机型Model	项目Item	手臂Arm			手腕Wrist			臂展(mm) Arm Length	负载(KG) Loading ability	重复定位精度 (mm) Repeatability	电源容量(KVA) Power Source	本体重量 (KG) Net Weight
		J1	J2	J3	J4	J5	J6					
BRTIRUS3511A	臂展Arm Length(mm)			2-3轴距 1200mm	3-4轴距 250mm	3-5轴距 1647mm	5轴-端面距 277mm	3500	100	±0.2	28	约1350
	范围 Range(#°)	±160°	-75°/+30°	-80°/+85°	±180°	±95°	±360°					
	最大速度 Max.Speed(#°/s)	85°/s	70°/s	70°/s	82°/s	99°/s	124°/s					

因改良等原因,规格及外观有所变更时,不再另行通知,敬请谅解。
Without further notice if specification and exterior have been changed because of improvement.Thanks for your understanding.



产品特点 Product Features

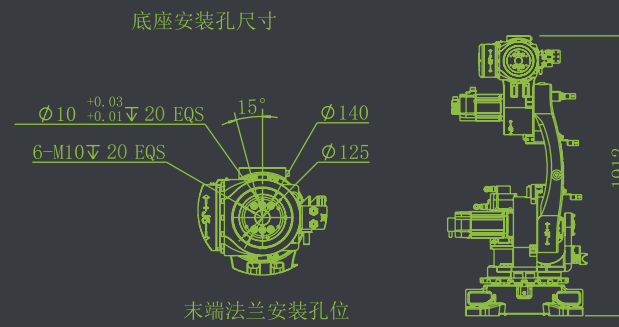
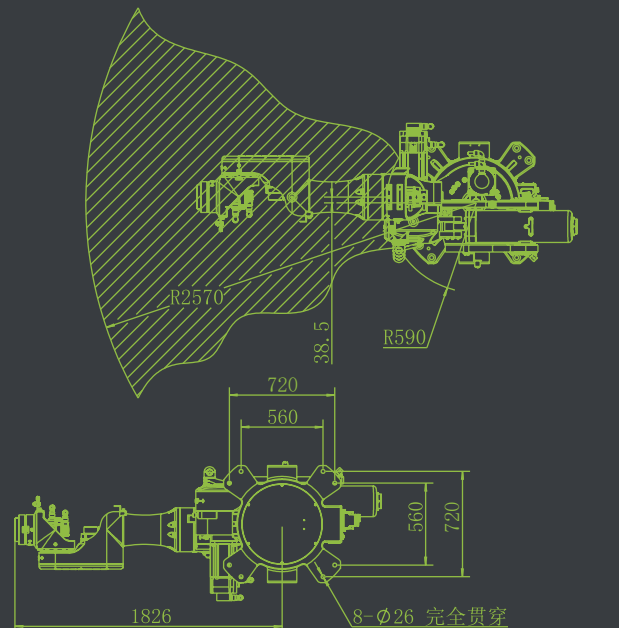
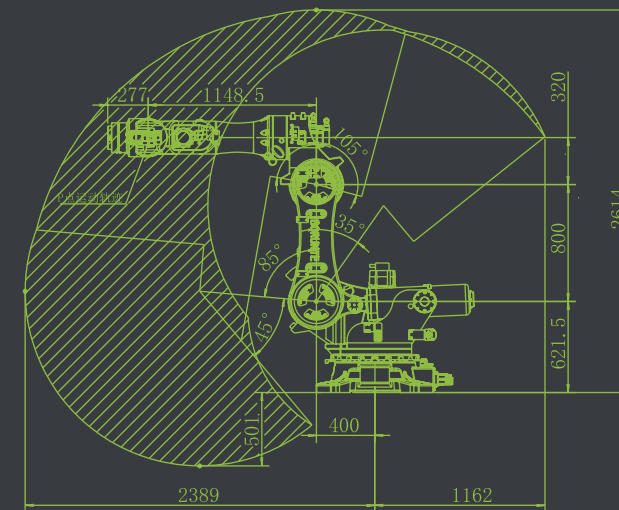
BRTIRUS2520B是伯朗特机器人股份有限公司针对某些单调、频繁和重复的长时间作业,或是危险、恶劣环境下的作业等而开发的一款六轴通用工业机器人,其拥有2570mm臂展,最大负载可达200kg。具有多自由度的灵活性,对上下料、搬运、码垛等场景能够应对自如。防护等级高-IP50,防尘。精度高-重复定位精度±0.2mm。

BRTIRUS2520B type robot is a six axis robot that developed for some monotonous, frequent and repetitive long-term operations or operations in dangerous and harsh environments. The maximum arm length is 2570mm. The maximum load is 200KG. It's flexible with multiple degrees of freedom. Suitable for loading and unloading, handling, stacking etc. The protection grade reaches IP50.Dust-proof. The repeat positioning accuracy is ±0.2mm.

主要规格 Main Specification

机型Model	项目Item	手臂Arm			手腕Wrist			臂展(mm) Arm Length	负载(KG) Loading ability	重复定位精度 (mm) Repeatability	电源容量(KVA) Power Source	本体重量 (KG) Net Weight
		J1	J2	J3	J4	J5	J6					
BRTIRUS2520B	臂展Arm Length(mm)			2-3轴距 800mm	3-4轴距 320mm	3-5轴距 1148.5mm	5轴-端面距 277mm	2570	200	±0.2	28.7	约1320
	范围 Range(#°)	±160°	-85°/+35°	-80°/+105°	±180°	±95°	±360°					
	最大速度 Max.Speed(#°/s)	57°/s	52°/s	52°/s	70°/s	75°/s	99°/s					

因改良等原因,规格及外观有所变更时,不再另行通知,敬请谅解。
Without further notice if specification and exterior have been changed because of improvement.Thanks for your understanding.





因改良等原因，规格及外观有所变更时，不再另行通知，敬请谅解。

Without further notice if specification and exterior have been changed because of improvement.Thanks for your understanding.

主要规格 Main Specification

机器人示教器参数	
触摸屏规格	800x600, 单点触摸 (电阻屏)
处理器	单核A8 ARM处理器 1GHZ
内存	512MB
接口	USB
键盘	点动(+,-)16点, 方向键2点, 功能键4点, 可绑定功能键4点
安全开关	急停开关、钥匙模式选择开关、3段位置使能开关
电源	DC24V±5%
耗电	最大250mA@24V
环境温度	工作时0° C 到+45° C, 存储时-20°C到+70°C
湿度	最大85% (无结露)
尺寸	最大 292mmX222mmX125mm
触摸笔	1支
材质	ABS 红/黑搭配
重量	1.75Kg

驱控一体电控柜参数	
处理器	单核A8 ARM处理器 1GHZ
控制软件	嵌入式Linux + 实时补丁+自主运动控制系统
内存	512MB
控制总线	内部专用总线, 可扩展至8轴
其他总线	modbus RTU主站, modbus RTU/TCP从站
原点指令作用	无
I/O端口	标配32输入32输出, 支持扩展华成I/O板
通讯接口	RS485, CAN, 百兆网络接口(目前可以接入经过华成认证的 设备有, 模拟量模块, 编码器模块, 云数据采集模块)
数据采集	可以通过网口接口采集系统状态, 并且有限制地控制系统
二次开发	无
控制轴数	4轴, 6轴, 8轴

BRTYZGT Series 二轴伺服机械手 Two-Axis ServoRod Ladler

BRTYZGT02S2B
¥ 45000

BRTYZGT04S2B
¥ 45000



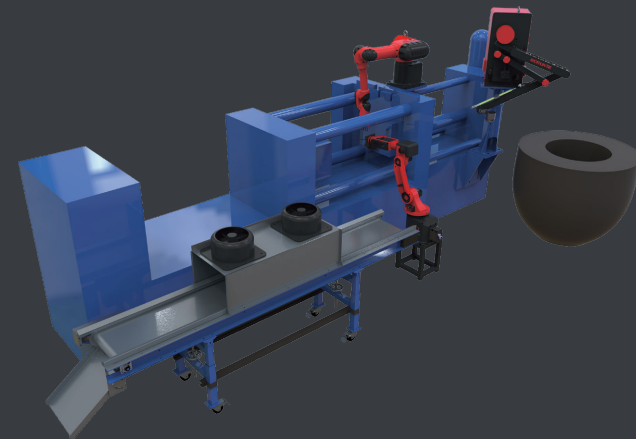
主要规格 Main Specification

项目	BRTYZGT02S2B	BRTYZGT04S2B
适用压铸机 Applicable to die casting machine	160T-400T	400T-800T
手臂驱动马达 Manipulator Motor Drive	0.75KW	0.75KW
汤勺驱动马达 Tablespoon Motor Drive	0.75KW	0.75KW
手臂减速比 Arm reduction ratio	RV40E 1:153	RV40E 1:153
汤勺减速比 Ladle reduction ratio	RV20E 1:121	RV20E 1:121
最大给汤量 Max.loading	4.5KG	6KG
可配汤勺规格 Recommended tablespoon type	0.8KG-4.5KG	4.5KG-6KG
可取汤深度 Tablespoon Max	350mm	450mm
熔炉可配高度 Recommended height for smelter	≤1100mm	≤1100mm
熔炉臂可配厚度 Recommended height for smelter arm	≤450mm	≤500mm
运行周期 Cycle Time	6.23S(待机位前进注汤到注汤完成后退到待机位)	7.3S(待机位前进注汤到注汤完成后退到待机位)
主控电源 Main control power	AC 单相AC220V/50HZ	AC 单相AC220V/50HZ
电源容量 Power Capacity	1.7KVA	1.7KVA
整机尺寸 Dimension	长*宽*高 (1140*680*1490mm)	长*宽*高 (1240*680*1540mm)
净重 (KG) Net Weight	220	230

产品特点 Product Features

采用全新的驱控一体控制系统, 信号线少, 维护简单, 搭配轻巧移动式手持操作器, 参数和功能设定一目了然, 操作简单快捷。整体结构采用伺服马达加RV减速机驱动, 运行更平稳精度更高, 效率更高。

It adopts a new integrated control system with fewer signal lines and simple maintenance. With portable hand type operating device, the parameters and function settings are clear at a glance and the operation is simple and quick. The whole structure is driven by servo motor and RV reducer, which makes the operation more stable, more accurate and more efficient.

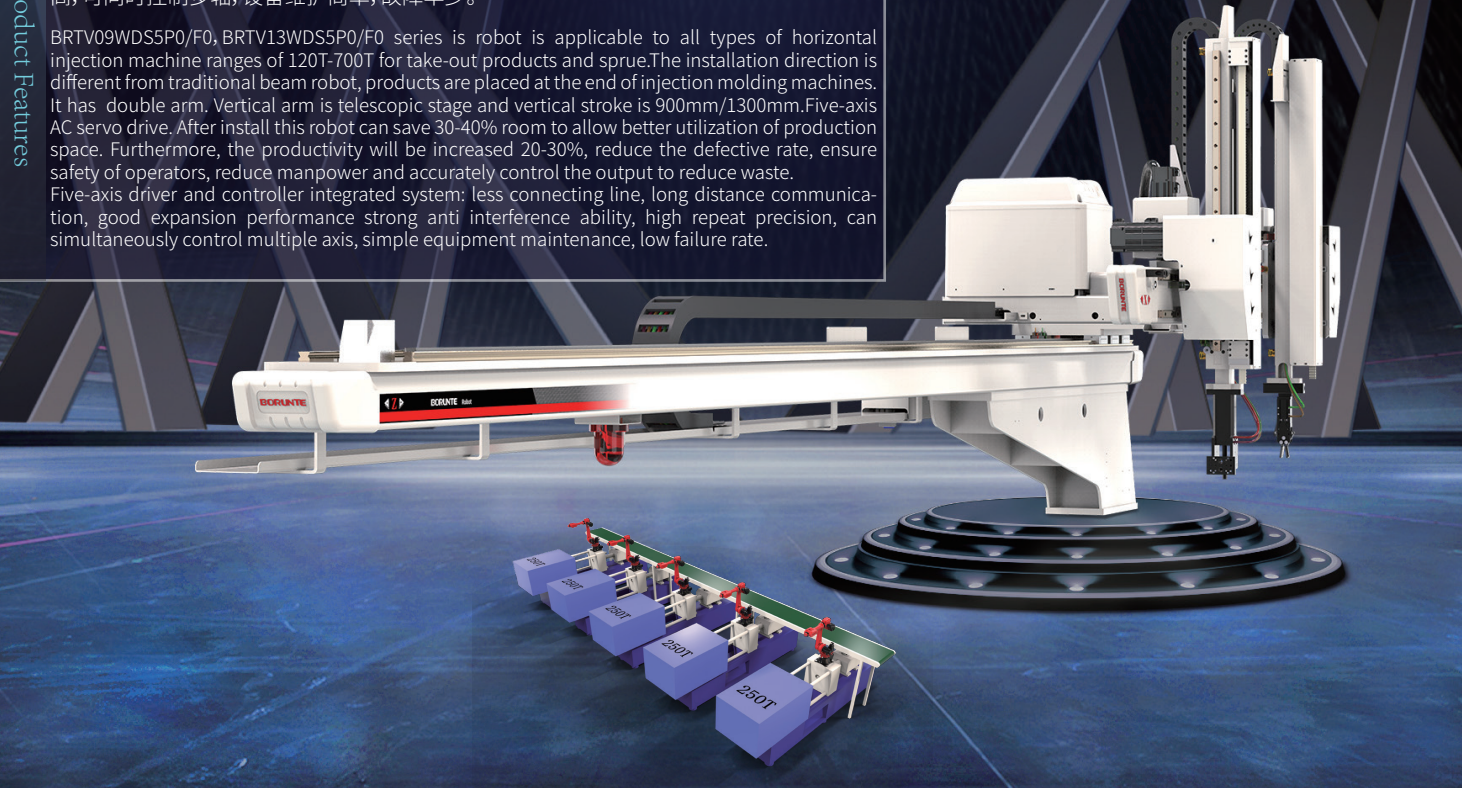


BRTV Series 五轴伺服机械手 Five-axis servo Robot

BRTV09WDS5P0/F0 ¥120000 BRTV13WDS5P0/F0 ¥120000

产品特点 Product Features
BRTV09WDS5P0/F0, BRTV13WDS5P0/F0系列适用于120T-700T的各型卧式射出机的成品及水口取出, 安装方式与传统的横走式不同, 是将成品与料头取出放置于射出机尾端, 可以节省出机的安装空间。手臂形式双截式, 双臂, 上下行程900mm/1300mm, 五轴AC伺服驱动, 安装可节省射出机安装空间30-40%, 更充分的利用厂房, 并可增加产能(20-30%), 降低产品的不良率, 保障操作人员的安全性, 减少人工, 精准的控制生产量, 减少浪费。五轴驱动一体控制系统: 信号线少, 远距离通讯, 扩展性能好, 抗干扰能力强, 重复定位精度高, 可同时控制多轴, 设备维护简单, 故障率少。

BRTV09WDS5P0/F0, BRTV13WDS5P0/F0 series is robot is applicable to all types of horizontal injection machine ranges of 120T-700T for take-out products and sprue. The installation direction is different from traditional beam robot, products are placed at the end of injection molding machines. It has double arm. Vertical arm is telescopic stage and vertical stroke is 900mm/1300mm. Five-axis AC servo drive. After install this robot can save 30-40% room to allow better utilization of production space. Furthermore, the productivity will be increased 20-30%, reduce the defective rate, ensure safety of operators, reduce manpower and accurately control the output to reduce waste. Five-axis driver and controller integrated system: less connecting line, long distance communication, good expansion performance strong anti interference ability, high repeat precision, can simultaneously control multiple axis, simple equipment maintenance, low failure rate.



机型 Model	电源容量 (KVA) Power Source	适用成型机 (ton) Recommended M.M.	驱动方式 Traverser Driven	治具型式 Model of EOAT	横行行程 (mm) Traverse Stroke	引接行程 (mm) Crosswise Stroke	上下行程 (mm) Vertical Stroke	最大荷载 (kg) Max.Loading	取出时间 (sec) Dry Take Out Time	全循环时间 (sec) Dry Cycle Time	空气消耗量 (Nl/cycle) Air Consumption	净重 (KG) Net Weight
BRTV09WDS5P0/F0	3.5	120T-320T	AC伺服马达 AC Servo motor	两吸两抱	横行拱总长6米以内	待定	900	5	1.7	待定	9	非标准
BRTV13WDS5P0/F0	3.5	320T-700T	AC伺服马达 AC Servo motor	两吸两抱	横行拱总长6米以内	待定	1300	8	2.3	待定	9	非标准

机型表示: W: 双截式 D: 双臂机械手 (成品臂+料头臂) S5: 五轴AC伺服马达驱动 (成品臂/料头臂上下、引接+横行)

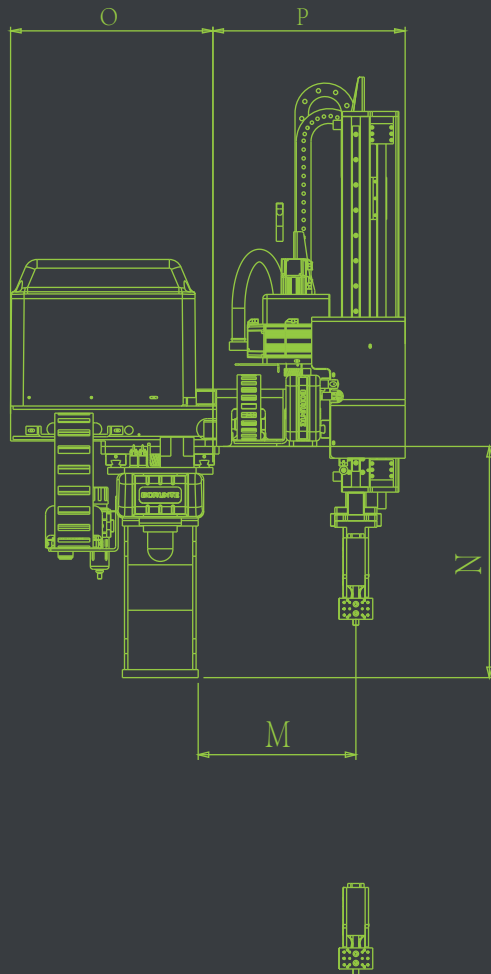
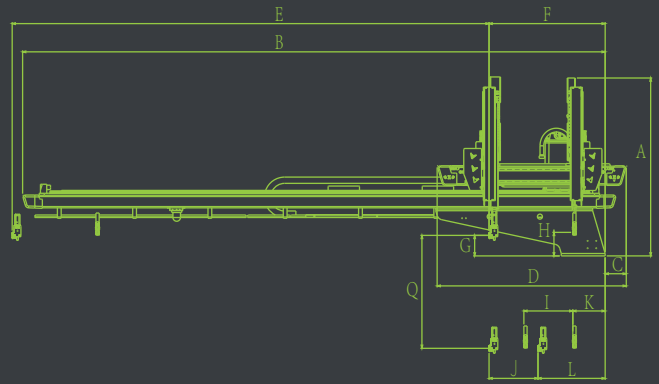
Denote: W: Telescopic type. D: Product arm + runner arm. S5: Five-axis driven by AC Servo Motor.

上述取物时间, 循环时间为我司内部测试标准测试结果, 在机器实际应用过程中会因实际使用行程, 负载, 调试参数不同而有所变化。

The above-mentioned cycle time are the results of our internal test standard. In the actual application process of the machine, they will vary according to the actual operation

Model	A	B	C	D	E	F	G	H	I	J	K	L	M	N	O	P	Q
BRTV09WDS5P0/F0	1555	横行拱总长6米以内	160	待定	待定	待定	174	187	待定	待定	126	266	待定	549	484	待定	900
BRTV13WDS5P0/F0	1614	横行拱总长6米以内	162	待定	待定	待定	167.5	191	待定	待定	253.5	399	待定	549	481	待定	1300

因改良等原因, 规格及外观有所变更时, 不再另行通知, 敬请谅解。
Without further notice if specification and exterior have been changed because of improvement. Thanks for your understanding.



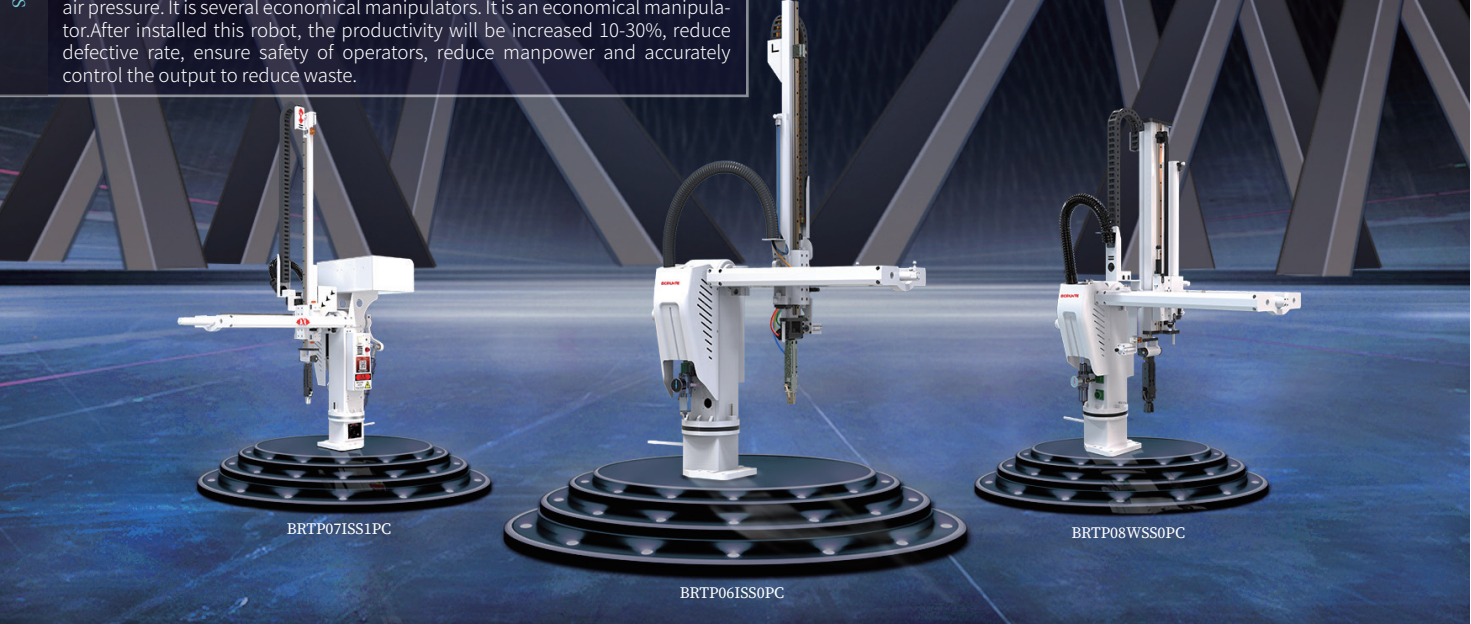
B RTP Series 斜臂式/一轴伺服机械手 Swing-arm /One-axis servo Robot

B RTP06ISS0PC ¥14250 B RTP07ISS1PC ¥14250 B RTP08WSS0PC ¥14250

产品特点 Product Features

B RTP06ISS0PC/B RTP07ISS1PC/B RTP08WSS0PC机型适用于30T-250T的各型卧式射出成型机的成品取出, 上下手臂为单截式/双截式, 其中 B RTP06ISS0PC/B RTP08WSS0PC的上下、引接、旋出、旋入均采用气压驱动, 速度快, 高效率; B RTP07ISS1PC的上下采用AC伺服马达驱动, 定位精准, 速度快, 寿命长, 故障低, 其余部位采用气压驱动, 是几款经济实惠型机械手。安装机械手可增加产能(10-30%)降低产品的不良率, 保障操作人员的安全性, 减少人工, 精准控制生产量, 减少浪费。

B RTP06ISS0PC/B RTP07ISS1PC/B RTP08WSS0PC swing-arm robot is applicable to all types of horizontal injection machine of 30T-250T for take-out products. The up and down arm is single/double sectional type. The upper and lower part, drawing part, screwing out and screwing in of B RTP06ISS0PC/B RTP08WSS0PC are driven by air pressure, with high speed and high efficiency; The upper and lower parts of B RTP07ISS1PC are driven by AC servo motor, with accurate positioning, fast speed, long service life and low fault. The rest parts are driven by air pressure. It is several economical manipulators. It is an economical manipulator. After installed this robot, the productivity will be increased 10-30%, reduce defective rate, ensure safety of operators, reduce manpower and accurately control the output to reduce waste.



机型 Model	电源容量 (KVA) Power Source	适用成型机 (ton) Recommended M.M.	驱动方式 Traverser Driven	治具型式 Model of EOAT	横行行程 (mm) Traverse Stroke	引接行程 (mm) Crosswise Stroke	上下行程 (mm) Vertical Stroke	最大荷载 (kg) Max.Loading	取出时间 (sec) Dry Take Out Time	全循环时间 (sec) Dry Cycle Time	放出角度 (degree) Swing Angle	空气消耗量 (Nl/cycle) Air Consumption	净重 (KG) Net Weight
B RTP06ISS0PC	0.05	30T-150T	气缸驱动	零吸零抱	/	120	650	2	1.6	5.5	30-90	3	36
B RTP07ISS1PC	0.5	60T-200T	AC伺服马达、气缸	零吸零抱	/	125	750	2	1.4	5	30-90	3	50
B RTP08WSS0PC	0.05	150T-250T	气缸驱动	零吸零抱	/	300	850	2	2	6	30-90	3	60

机型表示: I: 单截式 W: 双截式 S: 斜臂机械手 (成品臂) S0: 斜臂气缸驱动 (成品臂上下) S1: 一轴AC伺服马达驱动 (成品臂/料头臂上下)

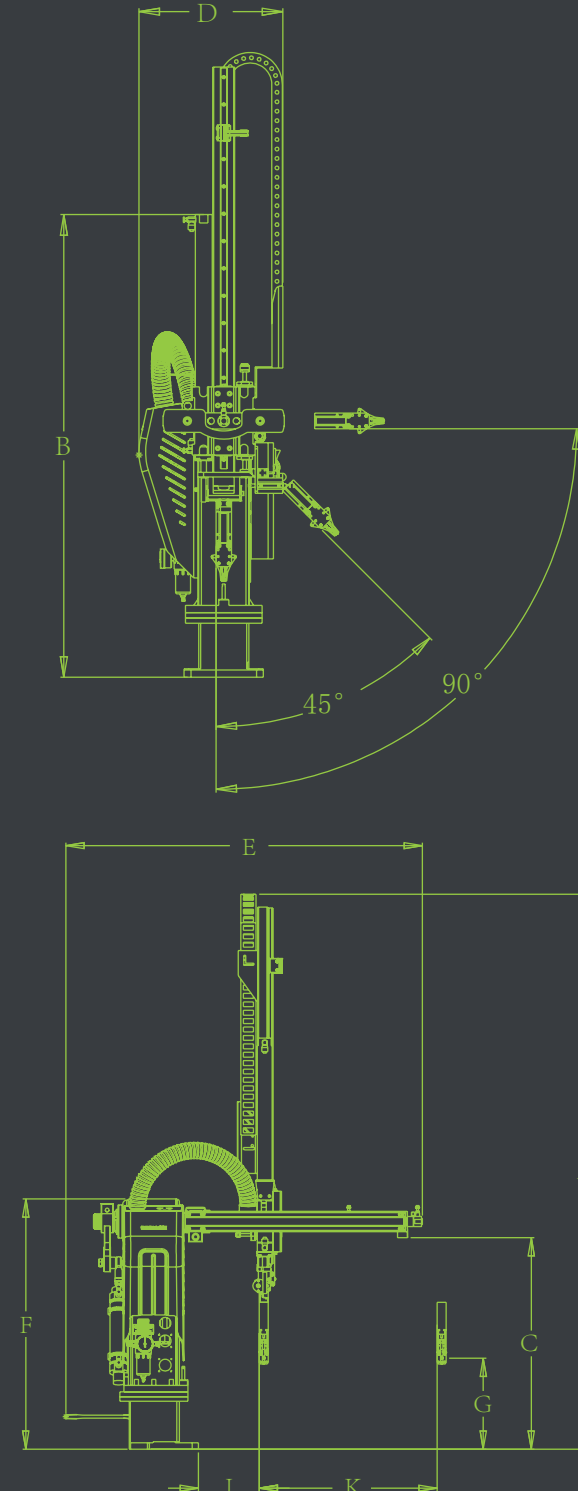
Denote: I: Single cut type. W: Telescopic type. S: Product arm. S0: Driven by cylinder. S1: One-axis driven by AC Servo Motor.

上述取物时间, 循环时间为我司内部测试标准测试结果, 在机器实际应用过程中会因实际使用行程, 负载, 调试参数不同而有所变化。

The above-mentioned cycle time are the results of our internal test standard. In the actual application process of the machine, they will vary according to the actual operation

Model	A	B	C	D	E	F	G	H	I	J	K
B RTP06ISS0PC	1372	1225	530	316	881	619	50	440	225	45°	90°
B RTP07ISS1PC	1577	/	523	462.5	1122	861	118	360	219	45°	90°
B RTP08WSS0PC	1205	1031	523	365	972	619	102	300	183	45°	90°

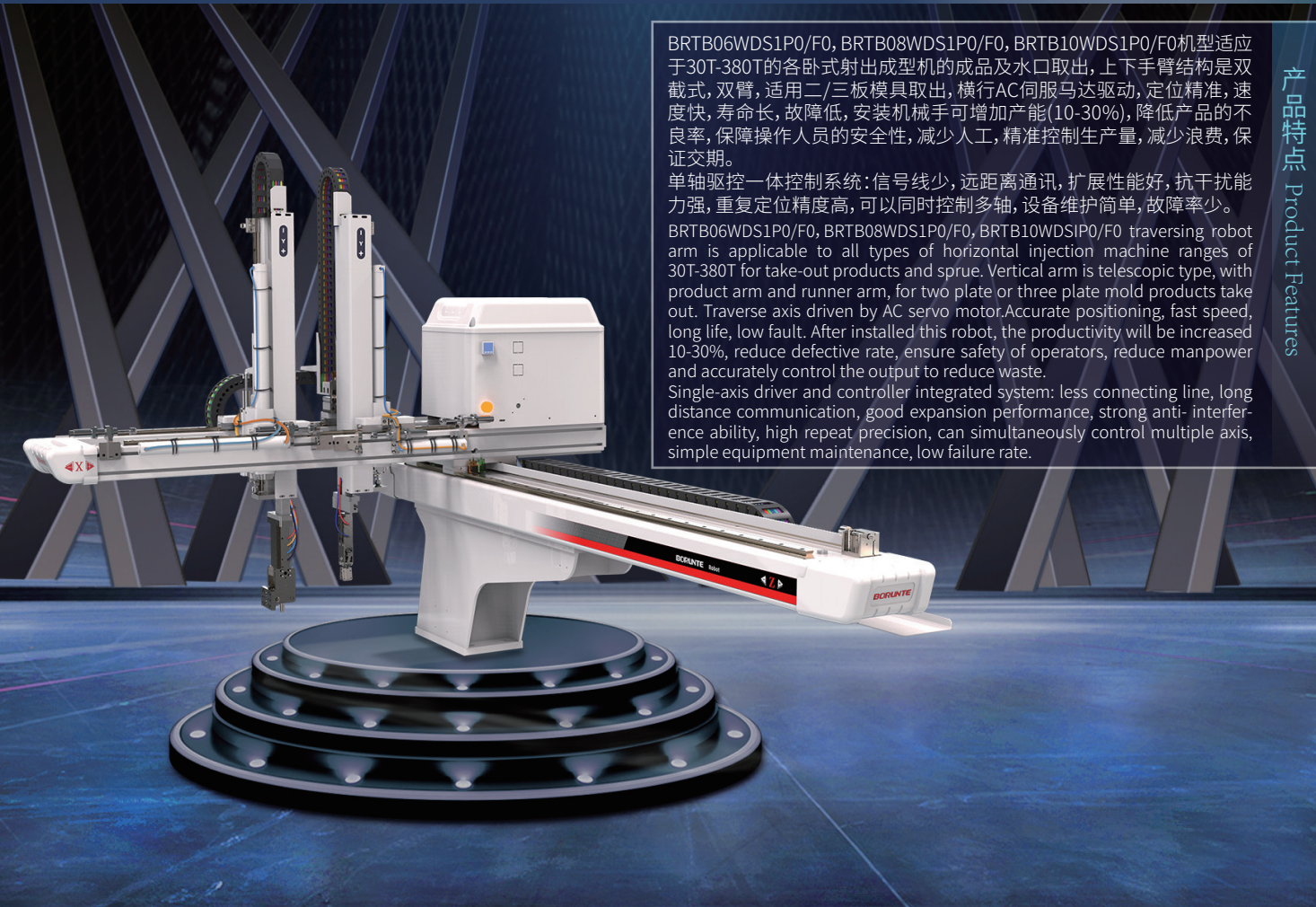
因改良等原因, 规格及外观有所变更时, 不再另行通知, 敬请谅解。
Without further notice if specification and exterior have been changed because of improvement. Thanks for your understanding.



BRTB Series

一轴伺服机械手
One-axis servo Robot

BRTB06WDS1P0/F0 **¥ 37050** BRTB08WDS1P0/F0 **¥ 37050** BRTB10WDS1P0/F0 **¥ 37050**



BRTB06WDS1P0/F0, BRTB08WDS1P0/F0, BRTB10WDS1P0/F0机型适用于30T-380T的各卧式射出成型机的成品及水口取出,上下手臂结构是双截式,双臂,适用二/三板模具取出,横行AC伺服马达驱动,定位精准,速度快,寿命长,故障低,安装机械手可增加产能(10-30%),降低产品的不良率,保障操作人员的安全性,减少人工,精准控制生产量,减少浪费,保证交期。

单轴驱动一体控制系统:信号线少,远距离通讯,扩展性能好,抗干扰能力强,重复定位精度高,可以同时控制多轴,设备维护简单,故障率少。

BRTB06WDS1P0/F0, BRTB08WDS1P0/F0, BRTB10WDS1P0/F0 traversing robot arm is applicable to all types of horizontal injection machine ranges of 30T-380T for take-out products and sprue. Vertical arm is telescopic type, with product arm and runner arm, for two plate or three plate mold products take out. Traverse axis driven by AC servo motor. Accurate positioning, fast speed, long life, low fault. After installed this robot, the productivity will be increased 10-30%, reduce defective rate, ensure safety of operators, reduce manpower and accurately control the output to reduce waste.

Single-axis driver and controller integrated system: less connecting line, long distance communication, good expansion performance, strong anti-interference ability, high repeat precision, can simultaneously control multiple axis, simple equipment maintenance, low failure rate.

产品特点 Product Features

机型 Model	电源容量 (KVA) Power Source	适用成型机 (ton) Recommended L.M.M	驱动方式 Traverse Driven	治具型式 Model of EOAT	横行行程 (mm) Traverse Stroke	引拔行程 (mm) Crosswise Stroke	上下行程 (mm) Vertical Stroke	最大荷载 (kg) Max. Loading	取出时间 (sec) Dry Take Out Time	全循环时间 (sec) Dry Cycle Time	空气消耗量 (Nl/cycle) Air Consumption	净重 (KG) Net Weight
BRTB06WDS1P0/F0	0.5	30T-120T	AC伺服马达 AC Servo motor	一吸一抱	1100	P-200 R:125	600	3	1.6	5.8	3.5	175
BRTB08WDS1P0/F0	0.5	120T-250T	AC伺服马达 AC Servo motor	一吸一抱	1250	P-300 R:125	800	3	1.7	6.49	3.5	198
BRTB10WDS1P0/F0	0.9	250T-380T	AC伺服马达 AC Servo motor	一吸一抱	1600	P-300 R:125	1000	3	1.92	8.16	4.2	221

机型表示: W: 双截式 D: 双臂机械手(成品臂+料头臂) S1: 横行AC伺服马达驱动

Denote: W: Telescopic type D: Product arm + runner arm S1: AC Servo driven on traverse axis

上述取物时间,循环时间为我司内部测试标准测试结果,在机器实际使用过程中会因实际使用行程,负载,调试参数不同而有所变化。

The above-mentioned cycle time are the results of our internal test standard. In the actual application process of the machine, they will vary according to the actual operation

Model	A	B	C	D	E	F	G	H	I	J	K	L	M	N	O
BRTB06WDS1P0/F0	1200	1900	600	403	1100	355	165	210	110	475	365	1000	242	365	933
BRTB08WDS1P0/F0	1340	2061	800	403	1250	355	165	210	135	475	520	1190	225	520	1033
BRTB10WDS1P0/F0	1440	2421	1000	403	1600	355	165	206	135	475	630	1315	255	630	1133

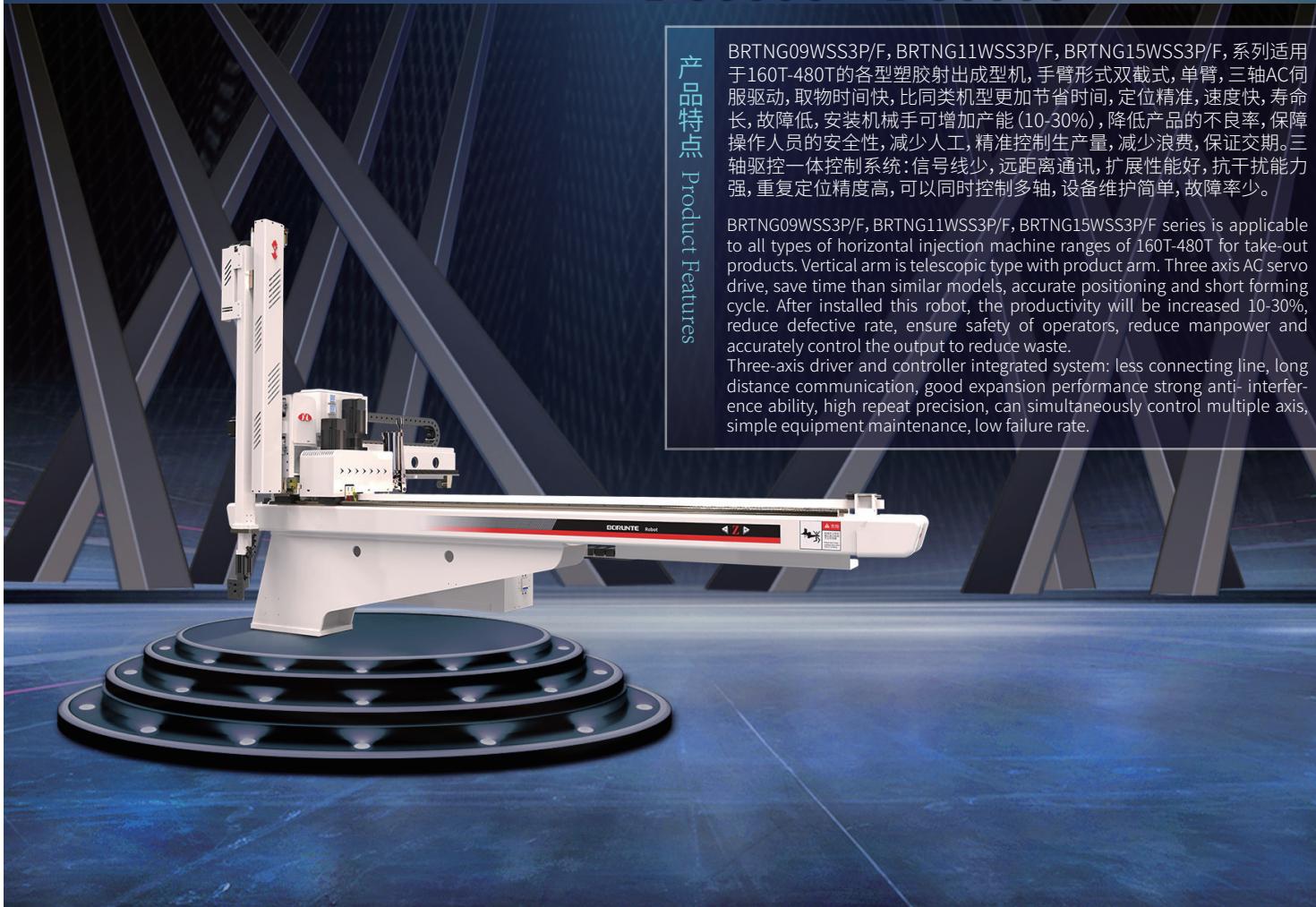
因改良等原因,规格及外观有所变更时,不再另行通知,敬请谅解。

Without further notice if specification and exterior have been changed because of improvement. Thanks for your understanding.

BRTN Series

三轴伺服机械手
Three-axis servo Robot

BRTNG09WSS3P/F **¥ 60000** BRTNG11WSS3P/F **¥ 60000** BRTNG15WSS3P/F **¥ 90000**

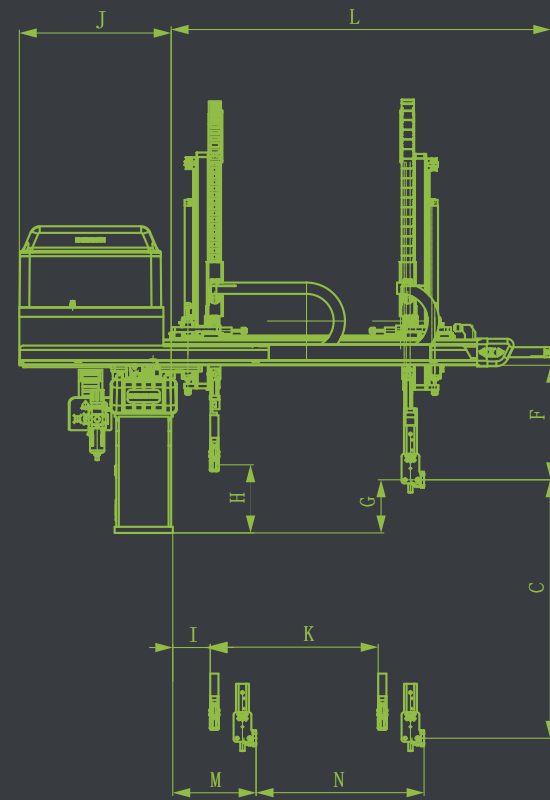
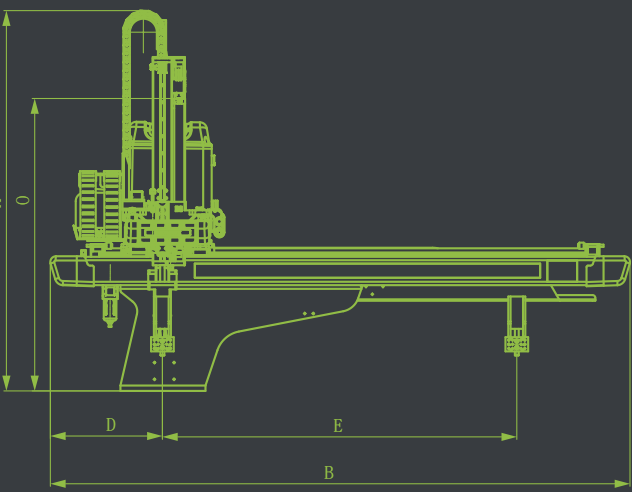


产品特点 Product Features

BRTNG09WSS3P/F, BRTNG11WSS3P/F, BRTNG15WSS3P/F, 系列适用于160T-480T的各型塑胶射出成型机,手臂形式双截式,单臂,三轴AC伺服驱动,取物时间快,比同类机型更加节省时间,定位精准,速度快,寿命长,故障低,安装机械手可增加产能(10-30%),降低产品的不良率,保障操作人员的安全性,减少人工,精准控制生产量,减少浪费,保证交期。三轴驱动一体控制系统:信号线少,远距离通讯,扩展性能好,抗干扰能力强,重复定位精度高,可以同时控制多轴,设备维护简单,故障率少。

BRTNG09WSS3P/F, BRTNG11WSS3P/F, BRTNG15WSS3P/F series is applicable to all types of horizontal injection machine ranges of 160T-480T for take-out products. Vertical arm is telescopic type with product arm. Three axis AC servo drive, save time than similar models, accurate positioning and short forming cycle. After installed this robot, the productivity will be increased 10-30%, reduce defective rate, ensure safety of operators, reduce manpower and accurately control the output to reduce waste.

Three-axis driver and controller integrated system: less connecting line, long distance communication, good expansion performance, strong anti-interference ability, high repeat precision, can simultaneously control multiple axis, simple equipment maintenance, low failure rate.



机型 Model	电源容量 (KVA) Power Source	适用成型机 (ton) Recommended L.M.M	驱动方式 Traverse Driven	治具型式 Model of EOAT	横行行程 (mm) Traverse Stroke	引拔行程 (mm) Crosswise Stroke	上下行程 (mm) Vertical Stroke	最大荷载 (kg) Max. Loading	取出时间 (sec) Dry Take Out Time	全循环时间 (sec) Dry Cycle Time	空气消耗量 (Nl/cycle) Air Consumption	净重 (KG) Net Weight
BRTNG09WSS3P/F	3.2	160T-380T	AC伺服马达 AC Servo motor	两吸两抱	1500	600	950	2	0.68	4.07	3.2	300
BRTNG11WSS3P/F	3.2	250T-480T	AC伺服马达 AC Servo motor	两吸两抱	1700	700	1100	2	0.87	4.42	3.2	305
BRTNG15WSS3P/F	3.2	470T-800T	AC伺服马达 AC Servo motor	两吸两抱	2200	900	1500	3	1.5	7.02	3.2	680

机型表示: W: 双截式 S: 单臂机械手(成品臂) S3: 三轴AC伺服马达驱动(成品臂上下、引拔+横行)

Denote: W: Telescopic stage, S: Product arm S3: Three-axis driven by AC Servo Motor (Traverse-axis, Vertical-axis + Crosswise-axis)

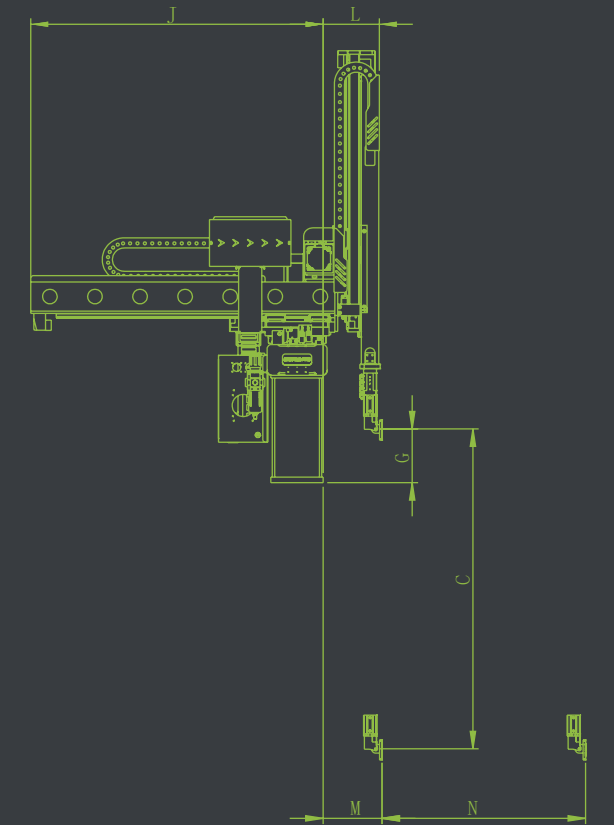
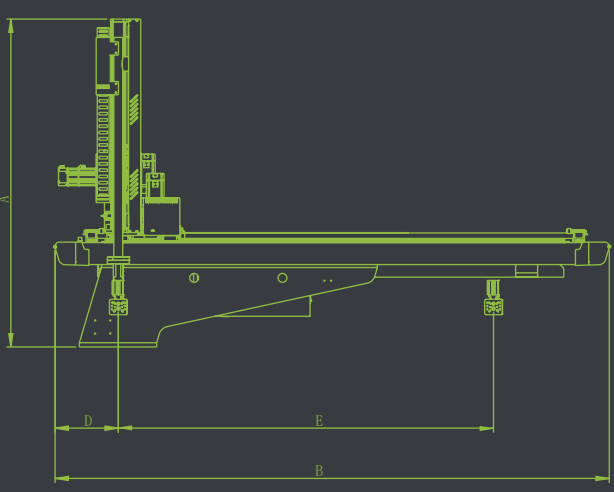
上述取物时间,循环时间为我司内部测试标准测试结果,在机器实际使用过程中会因实际使用行程,负载,调试参数不同而有所变化。

The above-mentioned cycle time are the results of our internal test standard. In the actual application process of the machine, they will vary according to the actual operation

Model	A	B	C	D	E	F	G	H	I	J	K	L	M	N
BRTNG09WSS3P/F	1362	2275.5	950	298	1500	/	219	/	/	916	/	232.5	236.5	600
BRTNG11WSS3P/F	1485	2510	1100	295	1700	/	185	/	/	1006	/	193	200	700
BRTNG15WSS3P/F	1751	3075	1500	357	2200	/	183	/	/	1396	/	344	350	900

因改良等原因,规格及外观有所变更时,不再另行通知,敬请谅解。

Without further notice if specification and exterior have been changed because of improvement. Thanks for your understanding.



BRTN Series 三轴伺服机械手 Three-axis servo Robot

BRTNN11WSS3P/F ¥60000 BRTNN13WSS3P/F ¥90000 BRTNN15WSS3P/F ¥90000

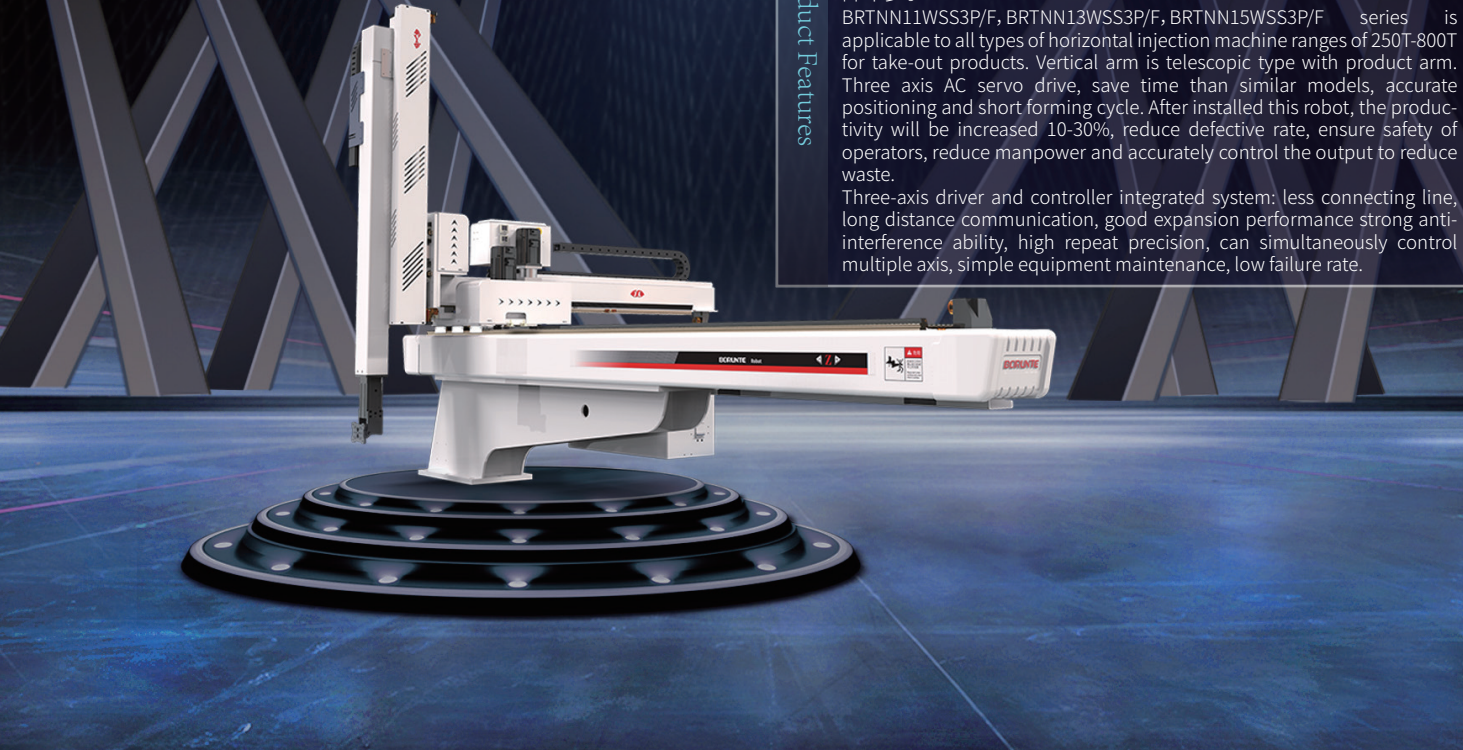
产品特点 Product Features

BRTNN11WSS3P/F, BRTNN13WSS3P/F, BRTNN15WSS3P/F系列适用于250T-800T的各型塑胶射出成型机,手臂形式双截式,单臂,三轴AC伺服驱动,取物时间快,比同类机型更加节省时间,定位精准,速度快,寿命长,故障低,安装机械手可增加产能(10-30%),降低产品的不良率,保障操作人员的安全性,减少人工,精准控制生产量,减少浪费,保证交期。

三轴驱动一体控制系统:信号线少,远距离通讯,扩展性能好,抗干扰能力强,重复定位精度高,可以同时控制多轴,设备维护简单,故障率少。

BRTNN11WSS3P/F, BRTNN13WSS3P/F, BRTNN15WSS3P/F series is applicable to all types of horizontal injection machine ranges of 250T-800T for take-out products. Vertical arm is telescopic type with product arm. Three axis AC servo drive, save time than similar models, accurate positioning and short forming cycle. After installed this robot, the productivity will be increased 10-30%, reduce defective rate, ensure safety of operators, reduce manpower and accurately control the output to reduce waste.

Three-axis driver and controller integrated system: less connecting line, long distance communication, good expansion performance strong anti-interference ability, high repeat precision, can simultaneously control multiple axis, simple equipment maintenance, low failure rate.



机型 Model	电源容量 (KVA) Power Source	通用成型机 (ton) Recommended M.M	驱动方式 Traverse Driven	治具型式 Model of EOAT	横行行程 (mm) Traverse Stroke	引拔行程 (mm) Crosswise Stroke	上下行程 (mm) Vertical Stroke	最大荷载 (kg) Max.Loading	取出时间 (sec) Dry Take Out Time	全循环时间 (sec) Dry Cycle Time	空气消耗量 (Nl/cycle) Air Consumption	净重 (KG) Net Weight
BRTNN11WSS3P/F	3.2	250T-480T	AC伺服马达 AC Servo motor	两吸两抱	1700	700	1100	10	1.63	6.15	3.2	305
BRTNN13WSS3P/F	3.2	470-700T	AC伺服马达 AC Servo motor	两吸两抱	1840	800	1300	10	2.6	8.9	3.2	660
BRTNN15WSS3P/F	3.2	470T-800T	AC伺服马达 AC Servo motor	两吸两抱	2200	900	1500	15	2.74	9.03	3.2	680

机型表示: W: 双截式 S:单臂机械手(成品臂) .S3: 三轴AC伺服马达驱动(成品臂上下、引拔+横行)

Denote:W:Telescopic type. S:Product arm S3:Three-axis driven by AC Servo Motor(Traverse-axis, Vertical-axis+Crosswise-axis)

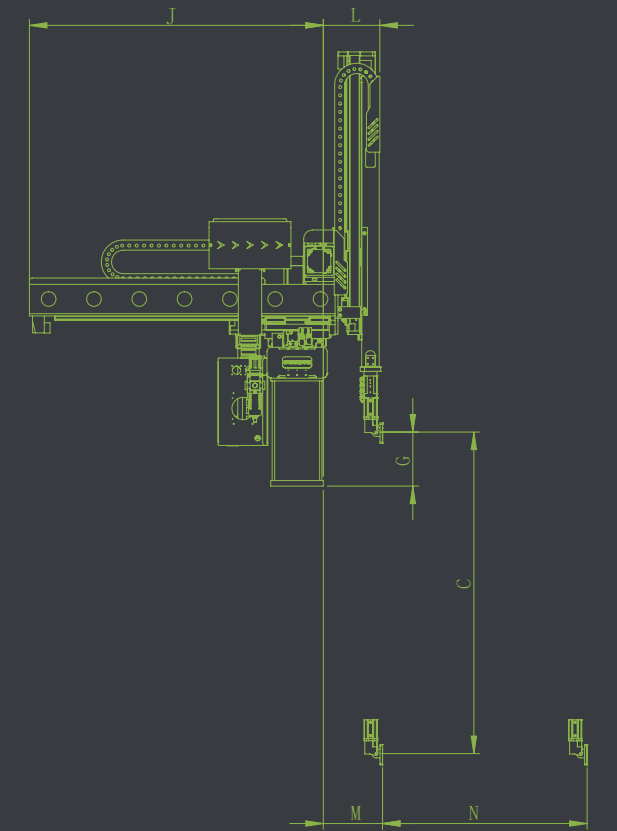
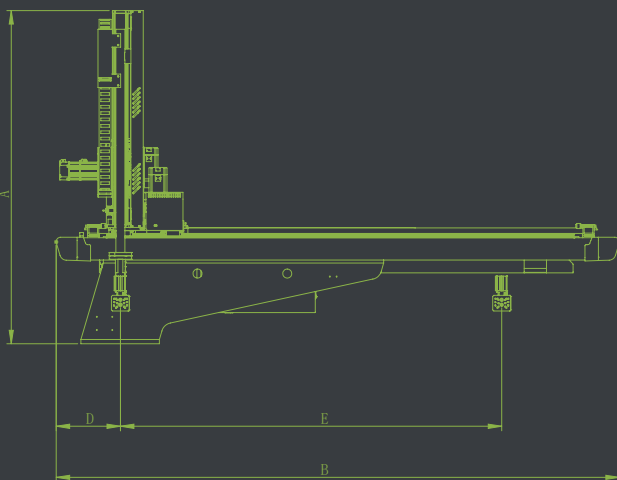
上述取物时间, 循环时间为我司内部测试标准测试结果, 在机器实际应用过程中会因实际使用行程, 负载, 调试参数不同而有所变化。

The above-mentioned cycle time are the results of our internal test standard. In the actual application process of the machine, they will vary according to the actual operation

Model	A	B	C	D	E	F	G	H	I	J	K	L	M	N
BRTNN11WSS3P/F	1485	2510	1100	295	1700	/	181	/	/	1006	/	193	215	700
BRTNN13WSS3P/F	1681.5	2695	1300	357	1840	/	184.5	/	/	1299	/	326	330	800
BRTNN15WSS3P/F	1751	3075	1500	357	2200	/	183	/	/	1396	/	344	350	900

因改良等原因, 规格及外观有所变更时, 不再另行通知, 敬请谅解。

Without further notice if specification and exterior have been changed because of improvement.Thanks for your understanding.



BRTN Series 四轴伺服机械手 Four-axis servo Robot

BRTNN11WSS4P/F ¥90000 BRTNN15WSS4P/F ¥120000

产品特点 Product Features

BRTNN11WSS4P/F, BRTNN15WSS4P/F, 系列适用于250T-800T的各型塑胶射出成型机,手臂形式双截式,单臂,四轴AC伺服驱动,标配C伺服驱动轴,C轴旋转角90°。取物时间快,比同类机型更加节省时间,定位精准,速度快,寿命长,故障低,安装机械手可增加产能(10-30%),降低产品的不良率,保障操作人员的安全性,减少人工,精准控制生产量,减少浪费,保证交期。

四轴驱动一体控制系统:信号线少,远距离通讯,扩展性能好,抗干扰能力强,重复定位精度高,可以同时控制多轴,设备维护简单,故障率少。

BRTNN11WSS4P/F, BRTNN15WSS4P/F series is applicable to all types of horizontal injection machine ranges of 250T-800T for take-out products. Vertical arm is telescopic type with product arm. Four axis AC servo drive, with C servo axis on wrist, C axis rotation 90 degrees. Save time than similar models, accurate positioning and short forming cycle. After installed this robot, the productivity will be increased 10-30%, reduce defective rate, ensure safety of operators, reduce manpower and accurately control the output to reduce waste.

Four-axis driver and controller integrated system: Less connecting line, long distance communication, good expansion performance strong anti-interference ability, high repeat precision, can simultaneously control multiple axis, simple equipment maintenance, low failure rate.



机型 Model	电源容量 (KVA) Power Source	通用成型机 (ton) Recommended M.M	驱动方式 Traverse Driven	治具型式 Model of EOAT	横行行程 (mm) Traverse Stroke	引拔行程 (mm) Crosswise Stroke	上下行程 (mm) Vertical Stroke	最大荷载 (kg) Max.Loading	取出时间 (sec) Dry Take Out Time	全循环时间 (sec) Dry Cycle Time	空气消耗量 (Nl/cycle) Air Consumption	净重 (KG) Net Weight
BRTNN11WSS4P/F	3.4	250T-480T	AC伺服马达 AC Servo motor	两吸两抱	1700	700	1100	10	1.63	6.15	3.2	305
BRTNN15WSS4P/F	3.4	470T-800T	AC伺服马达 AC Servo motor	两吸两抱	2200	900	1500	15	2.74	9.03	3.2	680

机型表示: W: 双截式 S:单臂机械手(成品臂) S4: 四轴AC伺服马达驱动(成品臂上下、C轴、引拔+横行)

Denote:W:Telescopic type. S:Product arm S4: Four-axis driven by AC Servo Motor(Traverse-axis, C-axis, Vertical-axis+Crosswise-axis)

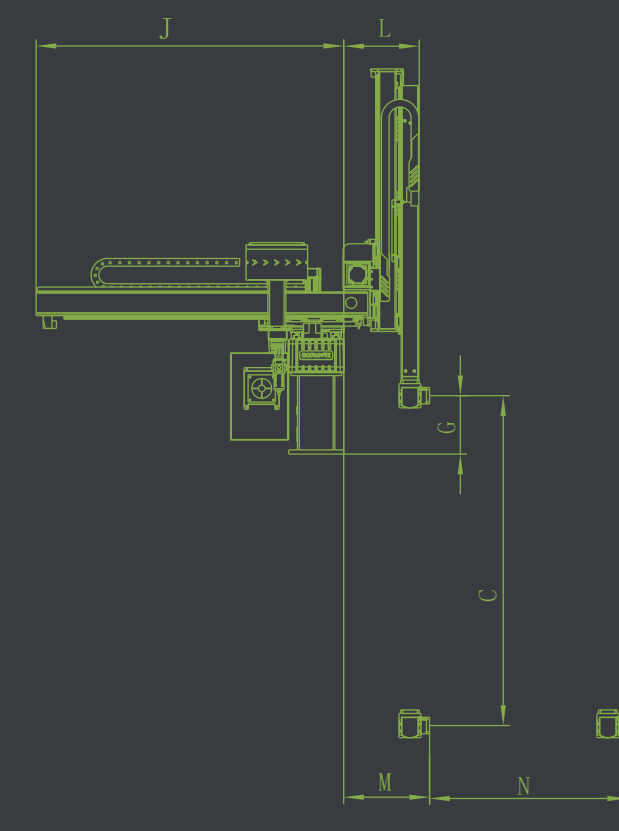
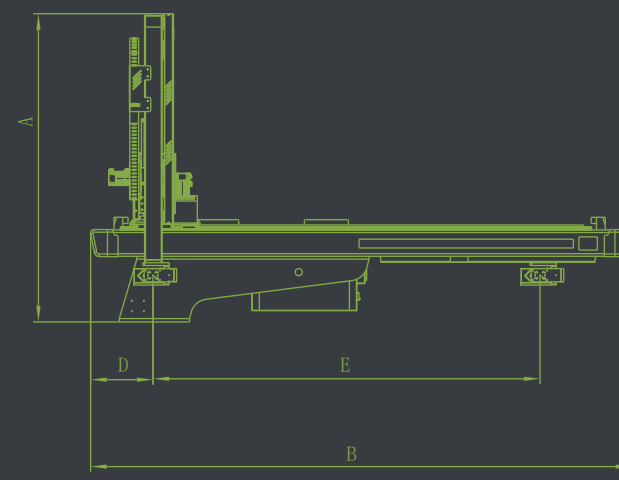
上述取物时间, 循环时间为我司内部测试标准测试结果, 在机器实际应用过程中会因实际使用行程, 负载, 调试参数不同而有所变化。

The above-mentioned cycle time are the results of our internal test standard. In the actual application process of the machine, they will vary according to the actual operation

Model	A	B	C	D	E	F	G	H	I	J	K	L	M	N
BRTNN11WSS4P/F	1485	2510	1100	293	1700	/	164	/	/	1001	/	208	265	700
BRTNN15WSS4P/F	1751	3075	1500	280	2200	/	170.5	/	/	1398.5	/	368	417	900

因改良等原因, 规格及外观有所变更时, 不再另行通知, 敬请谅解。

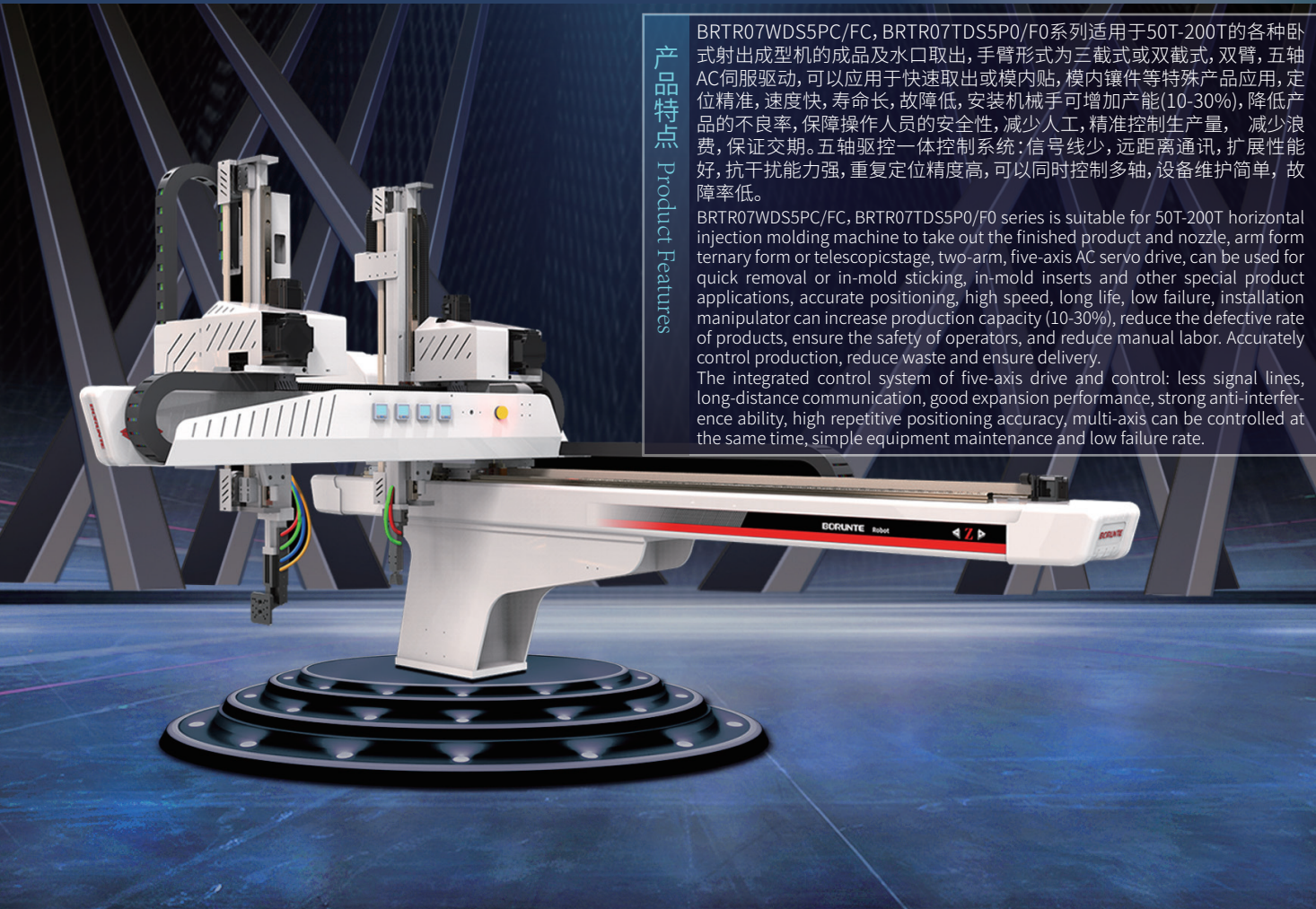
Without further notice if specification and exterior have been changed because of improvement.Thanks for your understanding.



BTR Series 五轴伺服机械手 Five-axis servo Robot

BRTR07WDS5PC/FC
¥ 80000

BRTR07TDS5P0/F0
¥ 90000



产品特点 Product Features

BRTR07WDS5PC/FC, BRTR07TDS5P0/F0系列适用于50T-200T的各种卧式射出成型机的成品及水口取出, 手臂形式为三截式或双截式, 双臂, 五轴AC伺服驱动, 可以应用于快速取出或模内贴, 模内镶件等特殊产品应用, 定位精准, 速度快, 寿命长, 故障低, 安装机械手可增加产能(10-30%), 降低产品的不良率, 保障操作人员的安全性, 减少人工, 精准控制生产量, 减少浪费, 保证交期。五轴驱动一体控制系统: 信号线少, 远距离通讯, 扩展性能好, 抗干扰能力强, 重复定位精度高, 可以同时控制多轴, 设备维护简单, 故障率低。

BRTR07WDS5PC/FC, BRTR07TDS5P0/F0 series is suitable for 50T-200T horizontal injection molding machine to take out the finished product and nozzle, arm form ternary form or telescopic stage, two-arm, five-axis AC servo drive, can be used for quick removal or in-mold sticking, in-mold inserts and other special product applications, accurate positioning, high speed, long life, low failure, installation manipulator can increase production capacity (10-30%), reduce the defective rate of products, ensure the safety of operators, and reduce manual labor. Accurately control production, reduce waste and ensure delivery. The integrated control system of five-axis drive and control: less signal lines, long-distance communication, good expansion performance, strong anti-interference ability, high repetitive positioning accuracy, multi-axis can be controlled at the same time, simple equipment maintenance and low failure rate.

机型 Model	电源容量 (KVA) Power Source	适用成型机 (ton) Recommended M.M	驱动方式 Traverse Driven	治具型式 Model of EOAT	横行行程 (mm) Traverse Stroke	引拔行程 (mm) Crosswise Stroke	上下行程 (mm) Vertical Stroke	最大荷载 (kg) Max.Loading	取出时间 (sec) Dry Take Out Time	全循环时间 (sec) Dry Cycle Time	空气消耗量 (Nl/cycle) Air Consumption	净重 (KG) Net Weight
BRTR07WDS5PC/FC	3.5	50T-200T	AC伺服马达 AC Servo motor	四吸两抱	1300	P:300 R:125	720	3	1.02	4.75	4	270
BRTR07TDS5P0/F0	3.2	50T-160T	AC伺服马达 AC Servo motor	两吸两抱	1300	P:310 R:310	700	3	0.92	4.55	4	270

机型表示: W: 双截式 T: 三截式 D: 双臂机械手 (成品臂+料头臂) S5: 五轴AC伺服马达驱动 (成品臂/料头臂上下、引拔+横行)

Denote: W: Telescopic stage. T: ternary form D: Product arm + runner arm. S5: Five-axis driven by AC Servo Motor.

上述取物时间, 循环时间为我司内部测试标准测试结果, 在机器实际使用过程中会因实际使用行程, 负载, 调试参数不同而有所变化。

The above-mentioned cycle time are the results of our internal test standard. In the actual application process of the machine, they will vary according to the actual operation

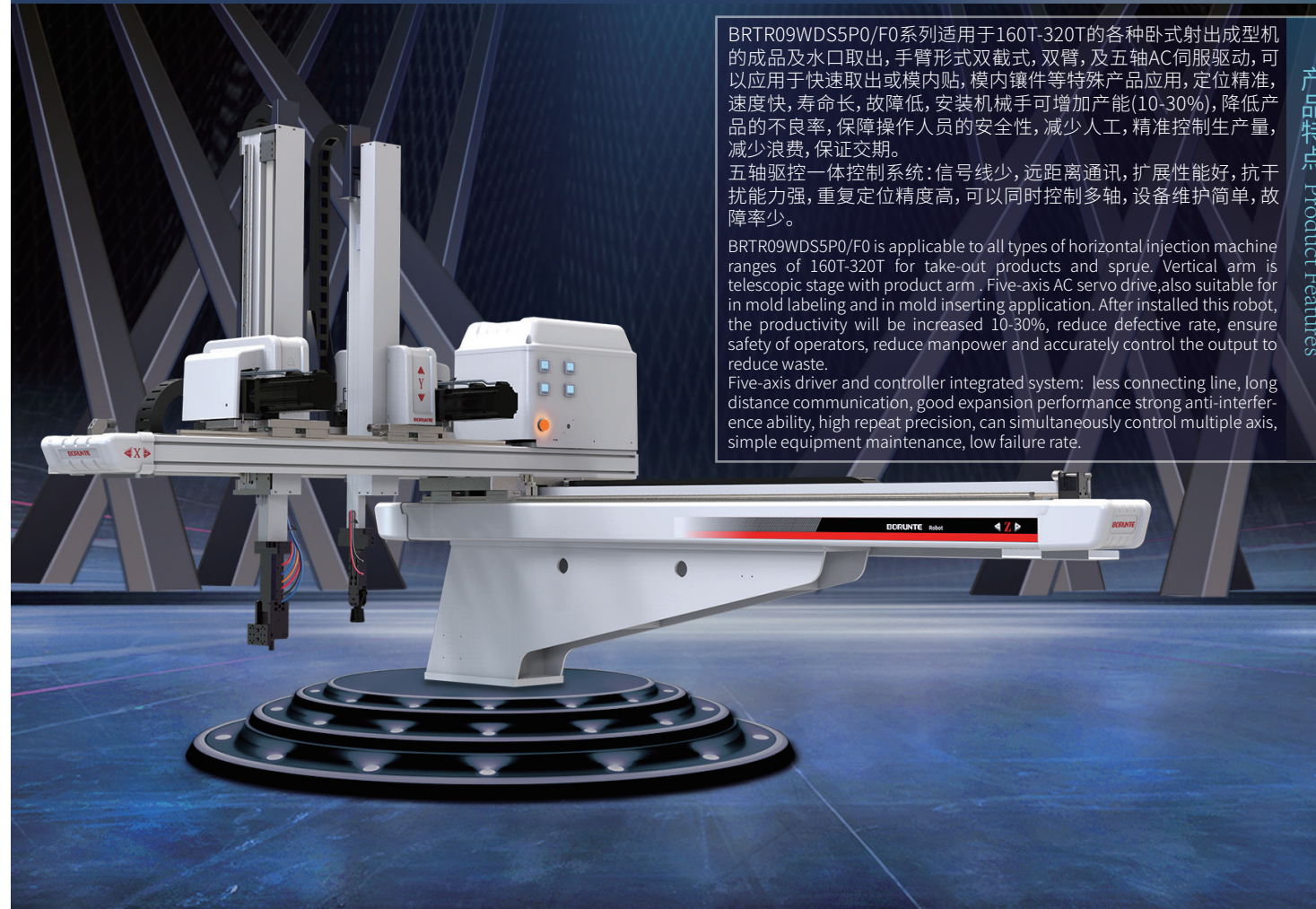
Model	A	B	C	D	E	F	G	H	I	J	K	L	M	N
BRTR07WDS5PC/FC	1200	2280	720	570	1300	310	200	240	90	322	125	1020	325	300
BRTR07TDS5P0/F0	875	2250	700	614	1300	240	100	80	122.5	350	310	952.5	289.5	310

因改良等原因, 规格及外观有所变更时, 不再另行通知, 敬请谅解。

Without further notice if specification and exterior have been changed because of improvement. Thanks for your understanding.

BTR Series 五轴伺服机械手 Five-axis servo Robot

¥ 57000



产品特点 Product Features

BRTR09WDS5P0/F0系列适用于160T-320T的各种卧式射出成型机的成品及水口取出, 手臂形式为双截式, 双臂, 及五轴AC伺服驱动, 可以应用于快速取出或模内贴, 模内镶件等特殊产品应用, 定位精准, 速度快, 寿命长, 故障低, 安装机械手可增加产能(10-30%), 降低产品的不良率, 保障操作人员的安全性, 减少人工, 精准控制生产量, 减少浪费, 保证交期。

五轴驱动一体控制系统: 信号线少, 远距离通讯, 扩展性能好, 抗干扰能力强, 重复定位精度高, 可以同时控制多轴, 设备维护简单, 故障率低。

BRTR09WDS5P0/F0 is applicable to all types of horizontal injection machine ranges of 160T-320T for take-out products and sprue. Vertical arm is telescopic stage with product arm. Five-axis AC servo drive, also suitable for in mold labeling and in mold inserting application. After installed this robot, the productivity will be increased 10-30%, reduce defective rate, ensure safety of operators, reduce manpower and accurately control the output to reduce waste.

Five-axis driver and controller integrated system: less connecting line, long distance communication, good expansion performance, strong anti-interference ability, high repeat precision, can simultaneously control multiple axis, simple equipment maintenance, low failure rate.

机型 Model	电源容量 (KVA) Power Source	适用成型机 (ton) Recommended M.M	驱动方式 Traverse Driven	治具型式 Model of EOAT	横行行程 (mm) Traverse Stroke	引拔行程 (mm) Crosswise Stroke	上下行程 (mm) Vertical Stroke	最大荷载 (kg) Max.Loading	取出时间 (sec) Dry Take Out Time	全循环时间 (sec) Dry Cycle Time	空气消耗量 (Nl/cycle) Air Consumption	净重 (KG) Net Weight
BRTR09WDS5P0/F0	3.5	160T-320T	AC伺服马达 AC Servo motor	四吸两抱	1500	P:550 R:550	950	8	1.5	7.03	4	300

机型表示: W: 双截式 D: 双臂机械手 (成品臂+料头臂) S5: 五轴AC伺服马达驱动 (成品臂/料头臂上下、引拔+横行)

Denote: W: Telescopic type. D: Product arm + runner arm. S5: Five-axis driven by AC Servo Motor.

上述取物时间, 循环时间为我司内部测试标准测试结果, 在机器实际使用过程中会因实际使用行程, 负载, 调试参数不同而有所变化。

The above-mentioned cycle time are the results of our internal test standard. In the actual application process of the machine, they will vary according to the actual operation

Model	A	B	C	D	E	F	G	H	I	J	K	L	M	N
BRTR09WDS5P0/F0	1480	2280	950	365	1500	375	153	196	140	500	550	1195	330	550

因改良等原因, 规格及外观有所变更时, 不再另行通知, 敬请谅解。

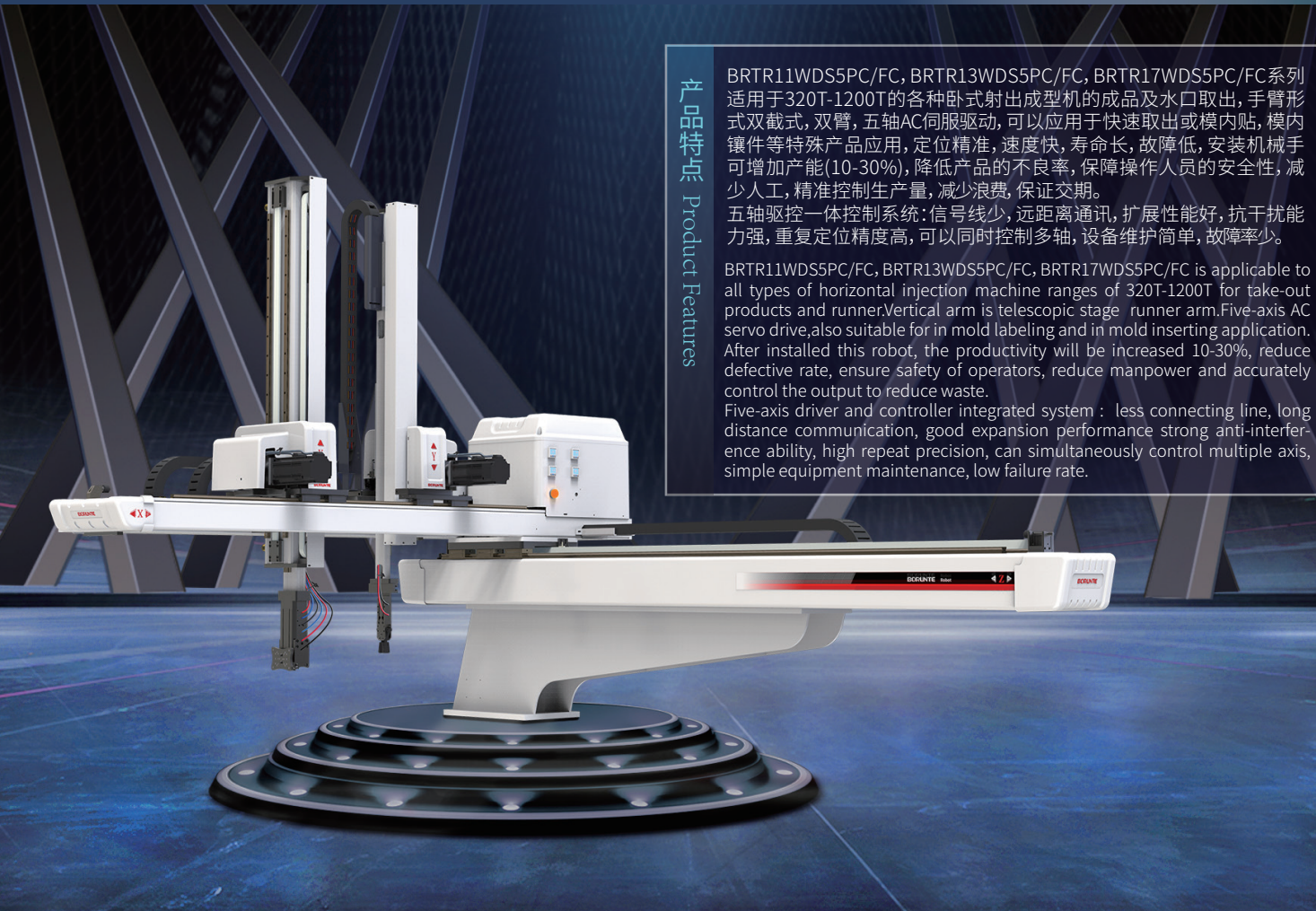
Without further notice if specification and exterior have been changed because of improvement. Thanks for your understanding.

BRTR Series 五轴伺服机械手 Five-axis servo Robot

BRTR11WDS5PC/FC ¥80000

BRTR13WDS5PC/FC ¥80000

BRTR17WDS5PC/FC ¥120000



产品特点 Product Features

BRTR11WDS5PC/FC, BRTR13WDS5PC/FC, BRTR17WDS5PC/FC系列适用于320T-1200T的各种卧式射出成型机的成品及水口取出, 手臂形式双截式, 双臂, 五轴AC伺服驱动, 可以应用于快速取出或模内贴, 模内镶件等特殊产品应用, 定位精准, 速度快, 寿命长, 故障低, 安装机械手可增加产能(10-30%), 降低产品的不良率, 保障操作人员的安全性, 减少人工, 精准控制生产量, 减少浪费, 保证交期。

五轴驱动一体控制系统: 信号线少, 远距离通讯, 扩展性能好, 抗干扰能力强, 重复定位精度高, 可以同时控制多轴, 设备维护简单, 故障率低。

BRTR11WDS5PC/FC, BRTR13WDS5PC/FC, BRTR17WDS5PC/FC is applicable to all types of horizontal injection machine ranges of 320T-1200T for take-out products and runner. Vertical arm is telescopic stage runner arm. Five-axis AC servo drive, also suitable for in mold labeling and in mold inserting application. After installed this robot, the productivity will be increased 10-30%, reduce defective rate, ensure safety of operators, reduce manpower and accurately control the output to reduce waste.

Five-axis driver and controller integrated system: less connecting line, long distance communication, good expansion performance strong anti-interference ability, high repeat precision, can simultaneously control multiple axis, simple equipment maintenance, low failure rate.

机型 Model	电源容量 (KVA) Power Source	适用成型机 (ton) Recommended M.M	驱动方式 Traverse Driven	治具型式 Model of EOAT	横行行程 (mm) Traverse Stroke	引拔行程 (mm) Crosswise Stroke	上下行程 (mm) Vertical Stroke	最大荷载 (kg) Max.Loading	取出时间 (sec) Dry Take Out Time	全循环时间 (sec) Dry Cycle Time	空气消耗量 (Nl/cycle) Air Consumption	净重 (KG) Net Weight
BRTR11WDS5PC/FC	4.1	320T-480T	AC伺服马达 AC Servo motor	四吸两抱	1700	P:625 R:625	1100	10	2.06	7.01	4	335
BRTR13WDS5PC/FC	3.5	360T-700T	AC伺服马达 AC Servo motor	四吸两抱	1800	P:800 R:800	1350	10	2.08	7.8	6.8	450
BRTR17WDS5PC/FC	5.2	750T-1200T	AC伺服马达 AC Servo motor	四吸两抱	2500	P:920 R:920	1700	15	3.72	12.72	15	800

机型表示: W: 双截式 D: 双臂机械手(成品臂+料头臂) S5: 五轴AC伺服马达驱动(成品臂/料头臂上下、引拔+横行)

Denote: W: Telescopic type. D: Product arm + runner arm. S5: Five-axis driven by AC Servo Motor.

上述取物时间, 循环时间为我司内部测试标准测试结果, 在机器实际应用过程中会因实际使用行程, 负载, 调试参数不同而有所变化。

The above-mentioned cycle time are the results of our internal test standard. In the actual application process of the machine, they will vary according to the actual operation

Model	A	B	C	D	E	F	G	H	I	J	K	L	M	N
BRTR11WDS5PC/FC	1510	2470	1100	365	1700	377	152	196	150	499	625	1315	393	625
BRTR13WDS5PC/FC	1720	2690	1350	435	1800	390	195	245	148	515	800	1520	420	800
BRTR17WDS5PC/FC	1825	3385	1700	474	2500	520	102.5	159	241.5	515	920	1755	688	920

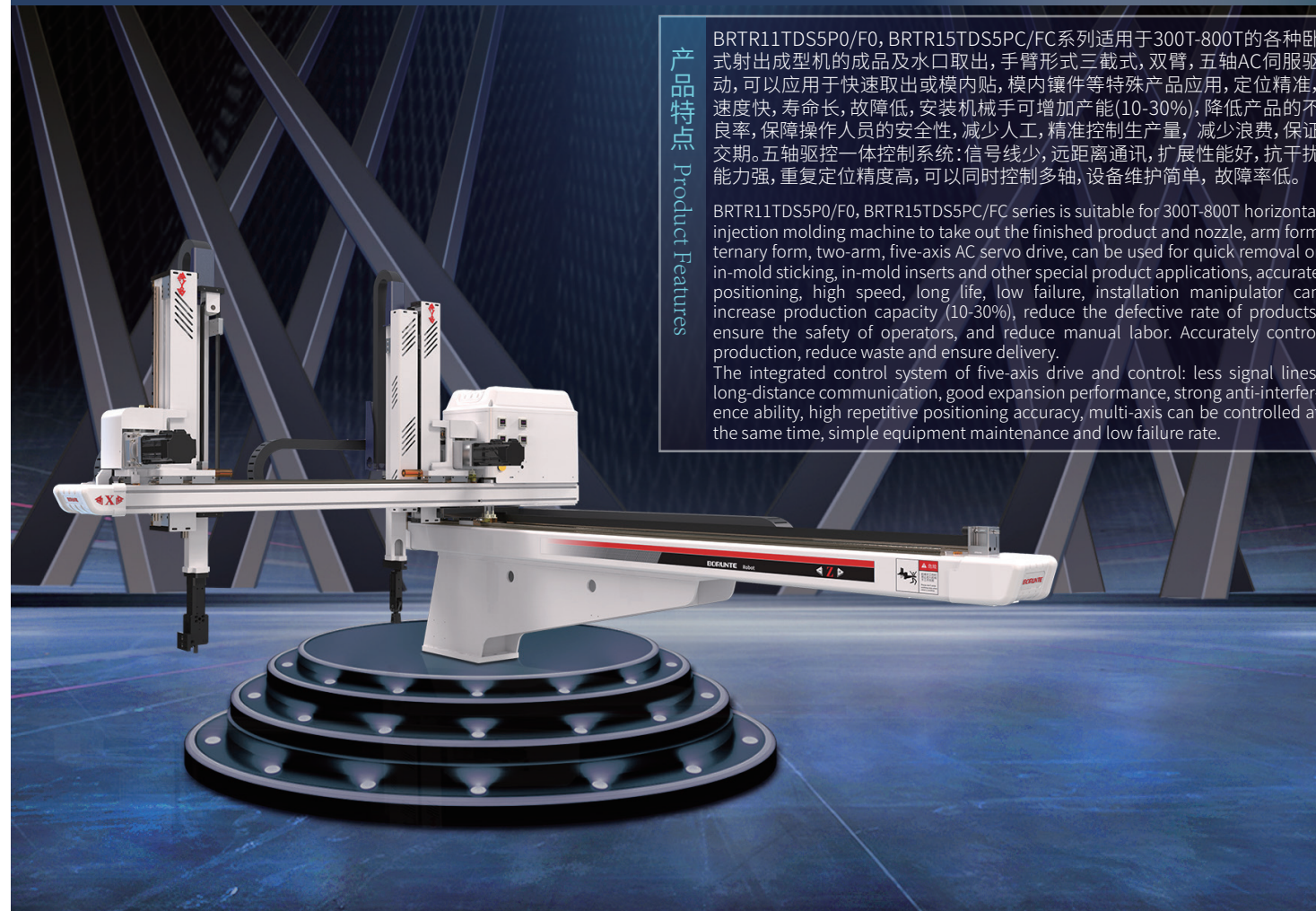
因改良等原因, 规格及外观有所变更时, 不再另行通知, 敬请谅解。

Without further notice if specification and exterior have been changed because of improvement. Thanks for your understanding.

BRTR Series 五轴伺服机械手 Five-axis servo Robot

BRTR11TDS5P0/F0 ¥120000

BRTR15TDS5PC/FC ¥120000



产品特点 Product Features

BRTR11TDS5P0/F0, BRTR15TDS5PC/FC系列适用于300T-800T的各种卧式射出成型机的成品及水口取出, 手臂形式三截式, 双臂, 五轴AC伺服驱动, 可以应用于快速取出或模内贴, 模内镶件等特殊产品应用, 定位精准, 速度快, 寿命长, 故障低, 安装机械手可增加产能(10-30%), 降低产品的不良率, 保障操作人员的安全性, 减少人工, 精准控制生产量, 减少浪费, 保证交期。五轴驱动一体控制系统: 信号线少, 远距离通讯, 扩展性能好, 抗干扰能力强, 重复定位精度高, 可以同时控制多轴, 设备维护简单, 故障率低。

BRTR11TDS5P0/F0, BRTR15TDS5PC/FC series is suitable for 300T-800T horizontal injection molding machine to take out the finished product and nozzle, arm form ternary form, two-arm, five-axis AC servo drive, can be used for quick removal or in-mold sticking, in-mold inserts and other special product applications, accurate positioning, high speed, long life, low failure, installation manipulator can increase production capacity (10-30%), reduce the defective rate of products, ensure the safety of operators, and reduce manual labor. Accurately control production, reduce waste and ensure delivery.

The integrated control system of five-axis drive and control: less signal lines, long-distance communication, good expansion performance, strong anti-interference ability, high repetitive positioning accuracy, multi-axis can be controlled at the same time, simple equipment maintenance and low failure rate.

机型 Model	电源容量 (KVA) Power Source	适用成型机 (ton) Recommended M.M	驱动方式 Traverse Driven	治具型式 Model of EOAT	横行行程 (mm) Traverse Stroke	引拔行程 (mm) Crosswise Stroke	上下行程 (mm) Vertical Stroke	最大荷载 (kg) Max.Loading	取出时间 (sec) Dry Take Out Time	全循环时间 (sec) Dry Cycle Time	空气消耗量 (Nl/cycle) Air Consumption	净重 (KG) Net Weight
BRTR11TDS5P0/F0	4.1	300T-450T	AC伺服马达 AC Servo motor	两吸两抱	1700	P:600 R:600	1100	6	2.67	7.13	4	335
BRTR15TDS5PC/FC	5.2	600T-800T	AC伺服马达 AC Servo motor	两吸两抱	2200	P:825 R:725	1500	15	3.27	9.70	14	780

机型表示: T: 三截式 D: 双臂机械手(成品臂+料头臂) S5: 五轴AC伺服马达驱动(成品臂/料头臂上下、引拔+横行)

Denote: W: ternary form. D: Product arm + runner arm. S5: Five-axis driven by AC Servo Motor.

上述取物时间, 循环时间为我司内部测试标准测试结果, 在机器实际应用过程中会因实际使用行程, 负载, 调试参数不同而有所变化。

The above-mentioned cycle time are the results of our internal test standard. In the actual application process of the machine, they will vary according to the actual operation

Model	A	B	C	D	E	F	G	H	I	J	K	L	M	N
BRTR11TDS5P0/F0	1384	2470	1100	364	1700	389	149	155.5	194.9	499	600	1315	370	600
BRTR15TDS5PC/FC	1469	3085	1500	514	2200	431.5	159.5	186	232	515	725	1755	534	825

因改良等原因, 规格及外观有所变更时, 不再另行通知, 敬请谅解。

Without further notice if specification and exterior have been changed because of improvement. Thanks for your understanding.

BRTM Series 五轴伺服机械手 Five-axis servo Robot

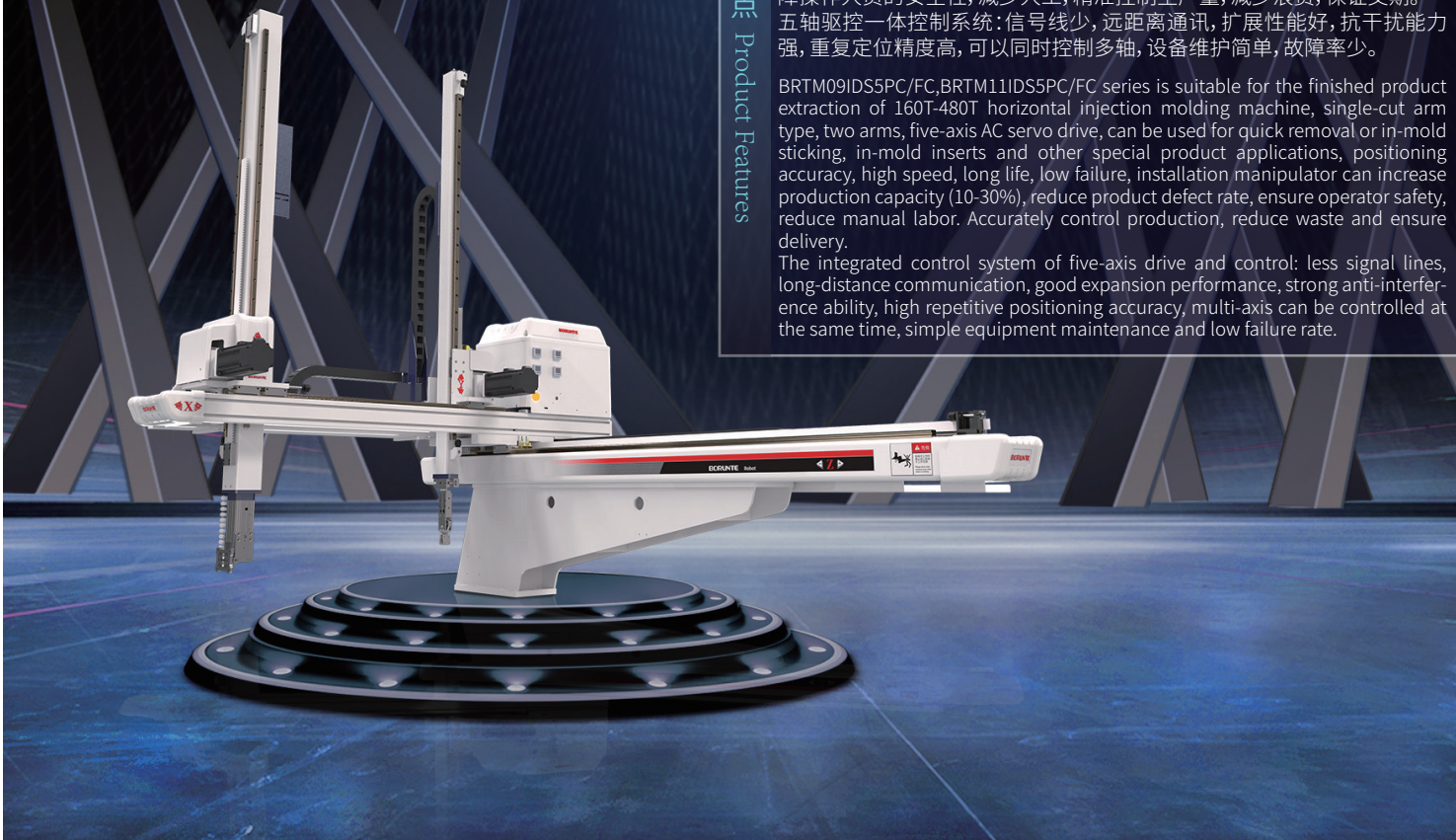
BRTM09IDS5PC/FC **¥ 90000** BRTM11IDS5PC/FC **¥ 90000**

产品特点 Product Features

BRTM09IDS5PC/FC, BRTM11IDS5PC/FC系列适用于160T-480T的各种卧式射出成型机的成品取出, 手臂形式单截式, 双臂, 五轴AC伺服驱动, 可以应用于快速取出或模内贴, 模内镶件等特殊产品应用, 定位精准, 速度快, 寿命长, 故障低, 安装机械手可增加产能(10-30%)降低产品的不良率, 保障操作人员的安全性, 减少人工, 精准控制生产量, 减少浪费, 保证交期。五轴驱动一体控制系统: 信号线少, 远距离通讯, 扩展性能好, 抗干扰能力强, 重复定位精度高, 可以同时控制多轴, 设备维护简单, 故障率低。

BRTM09IDS5PC/FC, BRTM11IDS5PC/FC series is suitable for the finished product extraction of 160T-480T horizontal injection molding machine, single-cut arm type, two arms, five-axis AC servo drive, can be used for quick removal or in-mold sticking, in-mold inserts and other special product applications, positioning accuracy, high speed, long life, low failure, installation manipulator can increase production capacity (10-30%), reduce product defect rate, ensure operator safety, reduce manual labor. Accurately control production, reduce waste and ensure delivery.

The integrated control system of five-axis drive and control: less signal lines, long-distance communication, good expansion performance, strong anti-interference ability, high repetitive positioning accuracy, multi-axis can be controlled at the same time, simple equipment maintenance and low failure rate.



机型 Model	电源容量 (KVA) Power Source	适用成型机 (ton) Recommended M.M	驱动方式 Traverse Driven	治具型式 Model of EOAT	横行行程 (mm) Traverse Stroke	引拔行程 (mm) Crosswise Stroke	上下行程 (mm) Vertical Stroke	最大荷载 (kg) Max.Loading	取出时间 (sec) Dry Take Out Time	全循环时间 (sec) Dry Cycle Time	空气消耗量 (NI/cycle) Air Consumption	净重 (KG) Net Weight
BRTM09IDS5PC/FC	3.5	160T-320T	AC伺服马达 AC Servo motor	两吸四抱	1500	P:650 R:650	900	10	2.74	7.60	4	310
BRTM11IDS5PC/FC	4.1	320T-480T	AC伺服马达 AC Servo motor	两吸四抱	1700	P:770 R:770	1100	15	3.04	8.50	4	325

机型表示: I: 单截式 D: 双臂机械手 (成品臂+料头臂) S5: 五轴AC伺服马达驱动 (成品臂/料头臂上下、引拔+横行)

Denote: I: Single cut type. D: Product arm + runner arm. S5: Five-axis driven by AC Servo Motor.

上述取物时间, 循环时间为我司内部测试标准测试结果, 在机器实际应用过程中会因实际使用行程, 负载, 调试参数不同而有所变化。

The above-mentioned cycle time are the results of our internal test standard. In the actual application process of the machine, they will vary according to the actual operation

Model	A	B	C	D	E	F	G	H	I	J	K	L	M	N
BRTM09IDS5PC/FC	1856	2275	900	394	1500	386.5	152.5	189	92	500	650	1195	290	650
BRTM11IDS5PC/FC	2025	2470	1100	393	1700	402	133	178	92	500	770	1315	295	770

因改良等原因, 规格及外观有所变更时, 不再另行通知, 敬请谅解。

Without further notice if specification and exterior have been changed because of improvement. Thanks for your understanding.

BRTN Series 三/五轴伺服机械手 Three/Five-axis servo Robot

BRTN17WSS3PC/FC **¥ 90000** BRTN17WSS5PC/FC **¥ 90000**

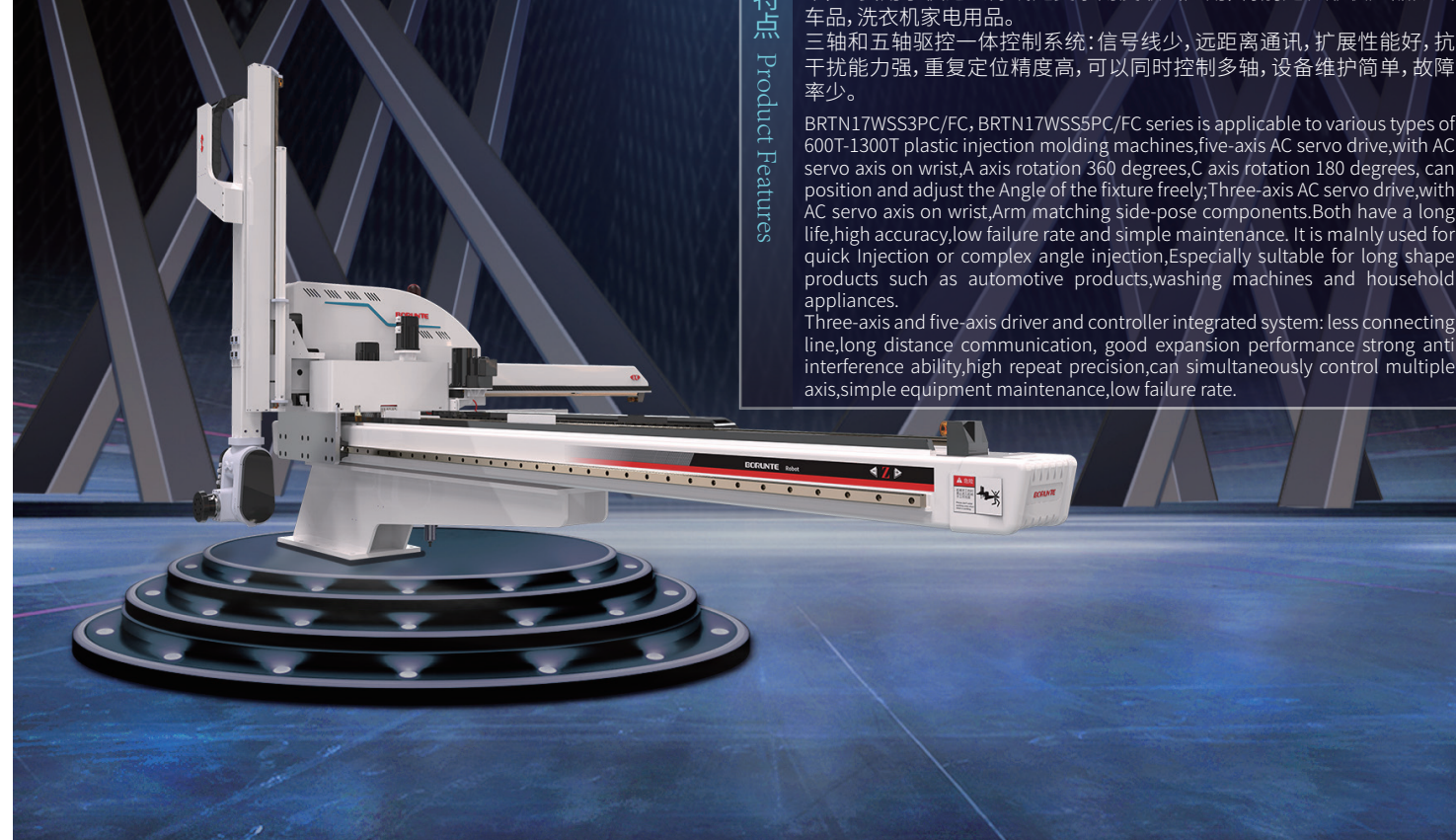
产品特点 Product Features

BRTN17WSS3PC/FC, BRTN17WSS5PC/FC 系列适用于600T-1300T的各种型塑胶射出成型机, 五轴AC伺服驱动, 标配AC伺服驱动轴, A轴旋转角360°, C轴旋转角180°, 可自由定位调整夹具角度; 三轴AC伺服驱动, 标配AC伺服驱动轴, 手臂搭载侧姿组。两者寿命长, 精度高, 故障率低, 维护简单, 主要用于快速去除或是复杂角度取出应用, 特别是长形状产品如汽车, 洗衣机家电用品。

三轴和五轴驱动一体控制系统: 信号线少, 远距离通讯, 扩展性能好, 抗干扰能力强, 重复定位精度高, 可以同时控制多轴, 设备维护简单, 故障率低。

BRTN17WSS3PC/FC, BRTN17WSS5PC/FC series is applicable to various types of 600T-1300T plastic injection molding machines, five-axis AC servo drive, with AC servo axis on wrist, A axis rotation 360 degrees, C axis rotation 180 degrees, can position and adjust the Angle of the fixture freely; Three-axis AC servo drive, with AC servo axis on wrist, Arm matching side-pose components. Both have a long life, high accuracy, low failure rate and simple maintenance. It is mainly used for quick Injection or complex angle injection, Especially suitable for long shape products such as automotive products, washing machines and household appliances.

Three-axis and five-axis driver and controller integrated system: less connecting line, long distance communication, good expansion performance strong anti interference ability, high repeat precision, can simultaneously control multiple axis, simple equipment maintenance, low failure rate.



机型 Model	电源容量 (KVA) Power Source	适用成型机 (ton) Recommended M.M	驱动方式 Traverse Driven	治具型式 Model of EOAT	横行行程 (mm) Traverse Stroke	引拔行程 (mm) Crosswise Stroke	上下行程 (mm) Vertical Stroke	最大荷载 (kg) Max.Loading	取出时间 (sec) Dry Take Out Time	全循环时间 (sec) Dry Cycle Time	空气消耗量 (NI/cycle) Air Consumption	净重 (KG) Net Weight
BRTN17WSS3PC/FC	3.3	600T-1300T	AC伺服马达 AC Servo motor	四吸两抱	2500	1430	1700	20	5.21	15.54	15	775
BRTN17WSS5PC/FC	4.2	600T-1300T	AC伺服马达 AC Servo motor	四吸两抱	2500	1430	1700	20	5.21	15.54	15	790

机型表示: W: 双截式 S: 单臂机械手 (成品臂) S5: 五轴AC伺服马达驱动 (成品臂上下、AC轴、引拔+横行)

Denote: W: Telescopic type. S: Product arm. S5: Five-axis driven by AC Servo Motor (Traverse-axis, AC-axis, Vertical-axis+Crosswise-axis).

上述取物时间, 循环时间为我司内部测试标准测试结果, 在机器实际应用过程中会因实际使用行程, 负载, 调试参数不同而有所变化。

The above-mentioned cycle time are the results of our internal test standard. In the actual application process of the machine, they will vary according to the actual operation

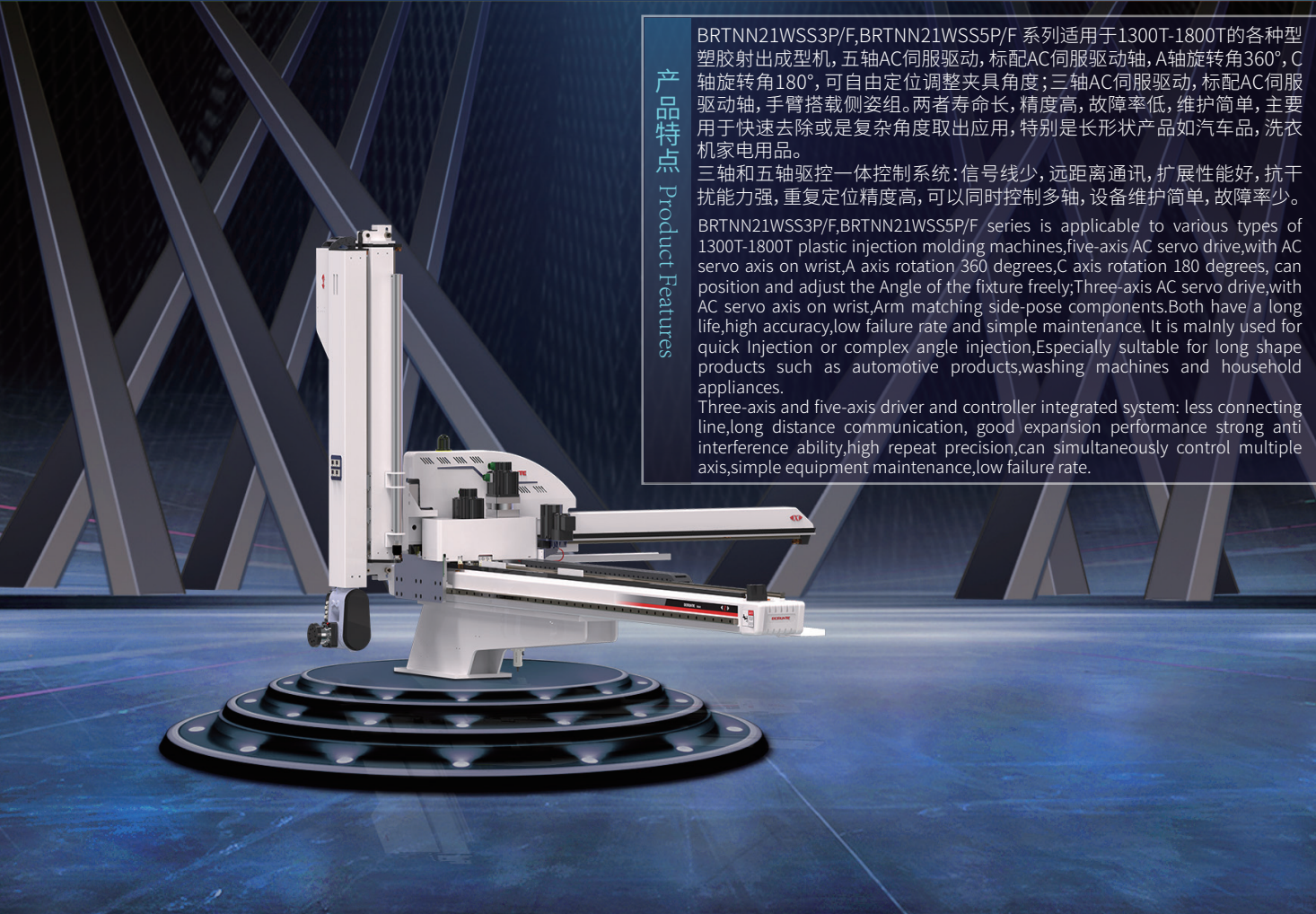
Model	A	B	C	D	E	F	G	H	I	J	K	L	M	N	O
BRTN17WSS3PC/FC	1904.5	3495	1700	485	2500	/	190.5	/	/	1835	/	391	327	1430	1596
BRTN17WSS5PC/FC	1904.5	3495	1700	483	2500	/	211	/	/	1835	/	391	462	1430	1596

因改良等原因, 规格及外观有所变更时, 不再另行通知, 敬请谅解。

Without further notice if specification and exterior have been changed because of improvement. Thanks for your understanding.

BRTN Series 三/五轴伺服机械手 Three/Five-axis servo Robot

BRTNN21WSS3P/F BRTNN21WSS5P/F
 ¥120000 ¥120000



产品特点 Product Features
 BRTNN21WSS3P/F, BRTNN21WSS5P/F 系列适用于1300T-1800T的各种型塑胶射出成型机, 五轴AC伺服驱动, 标配AC伺服驱动轴, A轴旋转角360°, C轴旋转角180°, 可自由定位调整夹具角度; 三轴AC伺服驱动, 标配AC伺服驱动轴, 手臂搭载侧姿组。两者寿命长, 精度高, 故障率低, 维护简单, 主要用于快速去除或是复杂角度取出应用, 特别是长形状产品如汽车品, 洗衣机家电用品。
 三轴和五轴驱动一体控制系统: 信号线少, 远距离通讯, 扩展性能好, 抗干扰能力强, 重复定位精度高, 可以同时控制多轴, 设备维护简单, 故障率少。
 BRTNN21WSS3P/F, BRTNN21WSS5P/F series is applicable to various types of 1300T-1800T plastic injection molding machines, five-axis AC servo drive, with AC servo axis on wrist, A axis rotation 360 degrees, C axis rotation 180 degrees, can position and adjust the Angle of the fixture freely; Three-axis AC servo drive, with AC servo axis on wrist, Arm matching side-pose components. Both have a long life, high accuracy, low failure rate and simple maintenance. It is mainly used for quick Injection or complex angle injection, Especially suitable for long shape products such as automotive products, washing machines and household appliances.
 Three-axis and five-axis driver and controller integrated system: less connecting line, long distance communication, good expansion performance strong anti interference ability, high repeat precision, can simultaneously control multiple axis, simple equipment maintenance, low failure rate.

机型 Model	电源容量 (KVA) Power Source	适用成型机 (ton) Recommendedl.M.M	驱动方式 Traverse Driven	治具型式 Model of EOAT	横行行程 (mm) Traverse Stroke	引拔行程 (mm) Crosswise Stroke	上下行程 (mm) Vertical Stroke	最大荷载 (kg) Max.Loading	取出时间 (sec) Dry Take Out Time	全循环时间 (sec) Dry Cycle Time	空气消耗量 (NL/cycle) Air Consumption	净重 (KG) Net Weight
BRTNN21WSS3P/F	3.5	1300-1800T	AC伺服马达 AC Servo motor	四吸两抱	2800	1710	2100	30	4.62	16.5	15	860
BRTNN21WSS5P/F	4.8	1300-1800T	AC伺服马达 AC Servo motor	四吸两抱	2800	1710	2100	30	4.62	16.5	15	870

机型表示: W: 双截式 S: 单臂机械手 (成品臂) S5: 五轴AC伺服马达驱动 (成品臂上下、AC轴、引拔+横行)
 Denote: W: Telescopic type. S: Product arm S5: Five-axis driven by AC Servo Motor (Traverse-axis, AC-axis, Vertical-axis+Crosswise-axis).
 上述取物时间, 循环时间为我司内部测试标准测试结果, 在机器实际使用过程中会因实际使用行程, 负载, 调试参数不同而有所变化。
 The above-mentioned cycle time are the results of our internal test standard. In the actual application process of the machine, they will vary according to the actual operation

Model	A	B	C	D	E	F	G	H	I	J	K	L	M	N	O
BRTNN21WSS3P/F	2191	3805	2100	484	2800	/	197	/	/	2136	/	474	477.5	1710	1956
BRTNN21WSS5P/F	2191	3805	2100	481	2800	/	210	/	/	2136	/	474	604.5	1710	1956

因改良等原因, 规格及外观有所变更时, 不再另行通知, 敬请谅解。
 Without further notice if specification and exterior have been changed because of improvement. Thanks for your understanding.

BRTN Series 五轴伺服机械手 Five-axis servo Robot

BRTN24WSS5PC/FC BRTN30WSS5PC/FC
 ¥150000 ¥200000



产品特点 Product Features
 BRTN24WSS5PC/FC, BRTN30WSS5PC/FC 系列适用于1300T-4000T的各种型塑胶射出成型机, 五轴AC伺服驱动, 标配AC伺服驱动轴, A轴旋转角360°, C轴旋转角180°, 可自由定位调整夹具角度, 寿命长, 精度高, 故障率低, 维护简单, 主要用于快速取出或是复杂角度取出应用, 特别是长形状产品如汽车产品, 洗衣机家电产品。
 五轴驱动一体控制系统: 信号线少, 远距离通讯, 扩展性能好, 抗干扰能力强, 重复定位精度高, 可以同时控制多轴, 设备维护简单, 故障率少。
 BRTN24WSS5PC/FC, BRTN30WSS5PC/FC is suitable for all types of 1300T-4000T plastic injection molding machines, five-axis AC servo drive, with AC servo axis on wrist, A axis rotation 360 degrees, C axis rotation 180 degrees. It can adjust fixture freely, with long service life, high accuracy, low failure rate and simple maintenance. It is mainly used for quick injection or complex angle injection. Especially suitable for long shape products such as automotive products, washing machines and household appliances.
 Five-axis driver and controller integrated system: less connecting line, long distance communication, good expansion performance strong anti interference ability, high repeat precision, can simultaneously control multiple axis, simple equipment maintenance, low failure rate.

机型 Model	电源容量 (KVA) Power Source	适用成型机 (ton) Recommendedl.M.M	驱动方式 Traverse Driven	治具型式 Model of EOAT	横行行程 (mm) Traverse Stroke	引拔行程 (mm) Crosswise Stroke	上下行程 (mm) Vertical Stroke	最大荷载 (kg) Max.Loading	取出时间 (sec) Dry Take Out Time	全循环时间 (sec) Dry Cycle Time	空气消耗量 (NL/cycle) Air Consumption	净重 (KG) Net Weight
BRTN24WSS5PC/FC	6.7	1300T-2100T	AC伺服马达 AC Servo motor	四吸两抱	3200	2000	2400	40	6.69	21.4	15	1550
BRTN30WSS5PC/FC	6.7	2200T-4000T	AC伺服马达 AC Servo motor	四吸两抱	4000	2500	3000	60	9.05	36.5	47	2020

机型表示: W: 双截式 S: 单臂机械手 (成品臂) S5: 五轴AC伺服马达驱动 (成品臂上下、AC轴、引拔+横行)
 Denote: W: Telescopic type. S: Product arm S5: Five-axis driven by AC Servo Motor (Traverse-axis, AC-axis, Vertical-axis+Crosswise-axis).
 上述取物时间, 循环时间为我司内部测试标准测试结果, 在机器实际使用过程中会因实际使用行程, 负载, 调试参数不同而有所变化。
 The above-mentioned cycle time are the results of our internal test standard. In the actual application process of the machine, they will vary according to the actual operation

Model	A	B	C	D	E	F	G	H	I	J	K	L	M	N	O
BRTN24WSS5PC/FC	2644	4380	2400	569	3200	/	313	/	/	2618	/	605	694	2000	2314
BRTN30WSS5PC/FC	2983	5333	3000	615.5	4000	/	295	/	/	3154.5	/	601	690	2500	2493

因改良等原因, 规格及外观有所变更时, 不再另行通知, 敬请谅解。
 Without further notice if specification and exterior have been changed because of improvement. Thanks for your understanding.