

ROBOTICS

Product specification

IRB 4400



Trace back information:
Workspace 21A version a11
Checked in 2021-03-19
Skribenta version 5.4.005

Product specification

**IRB 4400/60
IRB 4400/L10**

Document ID: 3HAC042478-001

Revision: P

The information in this manual is subject to change without notice and should not be construed as a commitment by ABB. ABB assumes no responsibility for any errors that may appear in this manual.

Except as may be expressly stated anywhere in this manual, nothing herein shall be construed as any kind of guarantee or warranty by ABB for losses, damage to persons or property, fitness for a specific purpose or the like.

In no event shall ABB be liable for incidental or consequential damages arising from use of this manual and products described herein.

This manual and parts thereof must not be reproduced or copied without ABB's written permission.

Keep for future reference.

Additional copies of this manual may be obtained from ABB.

Original instructions.

© Copyright 2004-2021 ABB. All rights reserved.
Specifications subject to change without notice.

Table of contents

Overview of this product specification	7
1 Description	9
1.1 Structure	9
1.1.1 Introduction to structure	9
1.1.2 Different robot versions	11
1.2 Standards	15
1.2.1 Applicable standards	15
1.3 Installation	17
1.3.1 Introduction to installation	17
1.3.2 Operating requirements	18
1.3.3 Mounting the manipulator	19
1.4 Calibration and references	22
1.4.1 Calibration methods	22
1.4.2 Fine calibration	24
1.4.3 Absolute Accuracy calibration	25
1.5 Load diagrams	27
1.5.1 Introduction to load diagrams	27
1.5.2 Maximum load and moment of inertia for full and limited axis 5 movement	30
1.5.3 Wrist torque	31
1.6 Mounting equipment	32
1.7 Maintenance and troubleshooting	35
1.8 Robot motion	36
1.9 Signals	40
2 Specification of variants and options	41
2.1 Introduction to variants and options	41
2.2 Manipulator	42
2.3 Positioners	47
2.4 Track motion	48
2.5 Floor cables	49
2.5.1 Manipulator	49
2.6 User documentation	50
3 Accessories	51
3.1 Introduction to accessories	51
Index	53

This page is intentionally left blank

Overview of this product specification

About this product specification

It describes the performance of the manipulator or a complete family of manipulators in terms of:

- The structure and dimensions prints
- The fulfillment of standards, safety and operating requirements
- The load diagrams, mounting or extra equipment, the motion and the robot reach
- The specification of variants and options available

Usage

Product specifications are used to find data and performance about the product, for example to decide which product to buy. How to handle the product is described in the product manual.

Users

It is intended for:

- Product managers and product personnel
- Sales and marketing personnel
- Order and customer service personnel

References

Reference	Document ID
<i>Product specification - Controller IRC5</i> IRC5 with main computer DSQC1000.	3HAC047400-001
<i>Product specification - Controller software IRC5</i> IRC5 with main computer DSQC1000 and RobotWare 5.6x.	3HAC050945-001
<i>Product specification - Controller software IRC5</i> IRC5 with main computer DSQC1000 and RobotWare 6.	3HAC050945-001
<i>Product manual - IRB 4400</i>	3HAC022032-001
<i>Product specification - Robot user documentation, IRC5 with RobotWare 6</i>	3HAC052355-001

Revisions

Revision	Description
-	<ul style="list-style-type: none"> • Replaces 3HAC9117-1 (English), 3HAC10768-1 (French), 3HAC10395-1 (German), 3HAC10782-1 (Spanish), and 3HAC10761-1 (Italian) • Table for ambient temperature adjusted • Text for Foundy Prime updated
A	<ul style="list-style-type: none"> • Machinery directive updated
B	<ul style="list-style-type: none"> • General updates and minor corrections

Continues on next page

Overview of this product specification

Continued

Revision	Description
C	<ul style="list-style-type: none">• General updates and minor corrections• Option Foundry Prime removed• Figure for mounting equipment changed
D	<ul style="list-style-type: none">• Text for ISO test adjusted• IRB 4400/L10 added
E	<ul style="list-style-type: none">• Minor updates/corrections
F	<ul style="list-style-type: none">• Text for Foundry Plus updated.
G	<ul style="list-style-type: none">• Drawing main dimension for IRB 4400/L10 updated
H	<ul style="list-style-type: none">• Minor corrections/updates
J	<ul style="list-style-type: none">• RT and AT adjusted after new ISO measurement
K	<ul style="list-style-type: none">• Values changed, see Performance according to ISO 9283 on page 38• Screw size of IRB 4400 changed to M20• Restriction of load diagram added
L	<ul style="list-style-type: none">• Updated list of applicable standards.• Drawing view of mounting holes for extra equipment added.
M	Published in release R18.1. The following updates are done in this revision: <ul style="list-style-type: none">• Change the general description of load diagrams.
N	Published in release R20D. The following updates are done in this revision: <ul style="list-style-type: none">• Warranty section updated.• Updated information about <i>Absolute Accuracy</i>.
P	Published in release R21A. The following updates are done in this revision: <ul style="list-style-type: none">• Updated repeatability values.

1 Description

1.1 Structure

1.1.1 Introduction to structure

Robot family

The IRB 4400 is a 6-axis industrial robot, designed specifically for manufacturing industries that use flexible robot-based automation. The robot has built-in process ware, an open structure that is specially adapted for flexible use, and can communicate extensively with external systems.

Operating system

The robot is equipped with the IRC5 controller and robot control software, RobotWare. RobotWare supports every aspect of the robot system, such as motion control, development and execution of application programs, communication etc. see Product specification - Controller IRC5 with FlexPendant.

Safety

Safety standards valid for complete robot, manipulator and controller.

Additional functionality

For additional functionality, the robot can be equipped with optional software for application support - for example gluing and welding, communication features - network communication - and advanced functions such as multi-tasking, sensor control, etc. For a complete description on optional software, see Product specification - Controller software IRC5.

Foundry Plus

Foundry Plus

The Foundry Plus option is designed for harsh environments where the robot is exposed to sprays of coolants, lubricants and metal spits that are typical for die casting applications or other similar applications. Typical applications are spraying insertion and part extraction of die-casting machines, handling in sand casting and gravity casting, etc. (Please refer to Foundry Prime for washing applications or other similar applications). Special care must be taken in regard to operational and maintenance requirements for applications in foundry are as well as in other applications areas. Please contact ABB Robotics Sales organization if in doubt regarding specific application feasibility for the Foundry Plus robot. The Foundry Plus robot is painted with two-component epoxy on top of a primer for corrosion protection. To further improve the protection additional preventive measures are applied to exposed and crucial areas. Continuous splashing of water or other similar rust formation fluids may cause corrosion on the robots unpainted areas, joints, or other unprotected surfaces. Under these circumstances it is recommended to add rust inhibitor to the fluid or take other measures to prevent potential rust formation. The entire robot is IP67 compliant according to IEC 60529 - from base

Continues on next page

1 Description

1.1.1 Introduction to structure

Continued

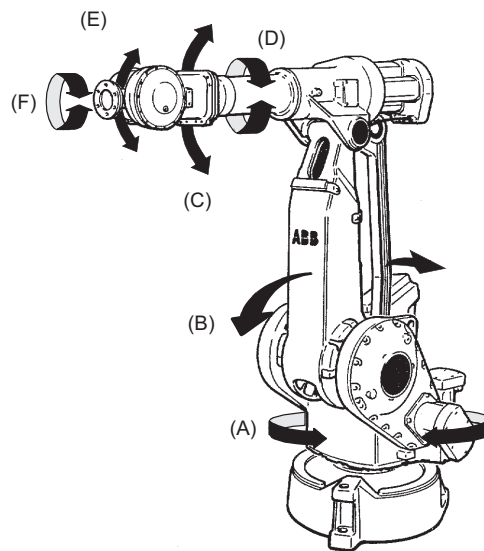
to wrist, which means that the electrical compartments are sealed against water and solid contaminants. Among other things all sensitive parts are better protected than the standard offer.

Selected Foundry Plus features:

- Improved sealing to prevent penetration into cavities to secure IP67
- Additional protection of cabling and electronics
- Special covers protecting cavities
- Well-proven connectors
- Rust preventives on screws, washers and unpainted/machined surfaces
- Extended service and maintenance program

The Foundry Plus robot can be cleaned with appropriate washing equipment according to product manual. Appropriate cleaning and maintenance are required to maintain the Foundry Plus protection, for example can rust preventive be washed off with wrong cleaning method.

Manipulator axes



xx110000607

Pos	Description	Pos	Description
A	Axis 1	B	Axis 2
C	Axis 3	D	Axis 4
E	Axis 5	F	Axis 6

1.1.2 Different robot versions

General

The IRB 4400 is available in two variants, to be floor mounted (no tilting allowed around X-axis or Y-axis).

Robot type	Handling capacity (kg)	Reach (m)
IRB 4400/60	60	1.96
IRB 4400/L10	10	2.55

Manipulator weight

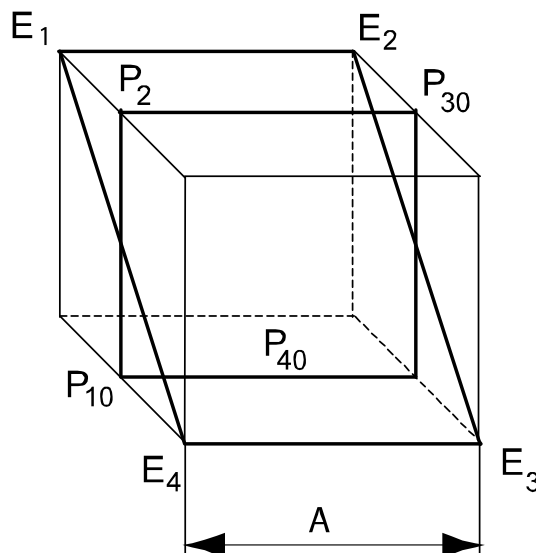
Robot type	Weight
IRB 4400/60	1040 kg
IRB 4400/L10	1040 kg

Other technical data

Data	Description	Note
Airborn noise level	The sound pressure level outside the working space	< 70 dB (A) Leq (acc. to Machinery directive 2006/42/EG)

Power consumption at max load

Type of Movement	IRB 4400/60	IRB 4400/L10
ISO Cube Max. velocity	1.33 kW	1.28 kW



xx0900001012

Pos	Description
A	630 mm ⁱ

ⁱ 1000 mm valid for IRB 4400/L10

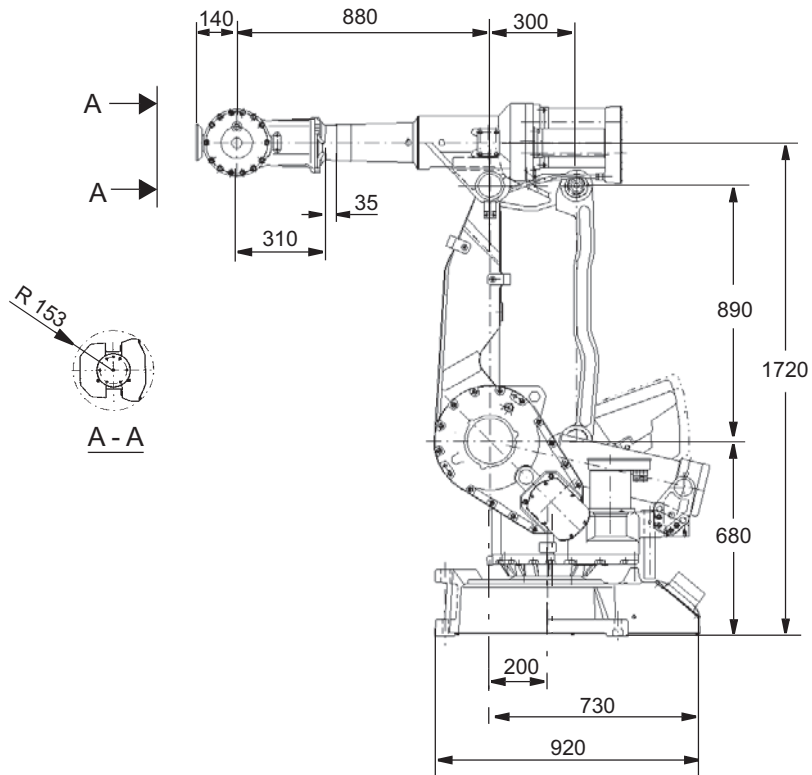
Continues on next page

1 Description

1.1.2 Different robot versions

Continued

Dimensions IRB 4400/60



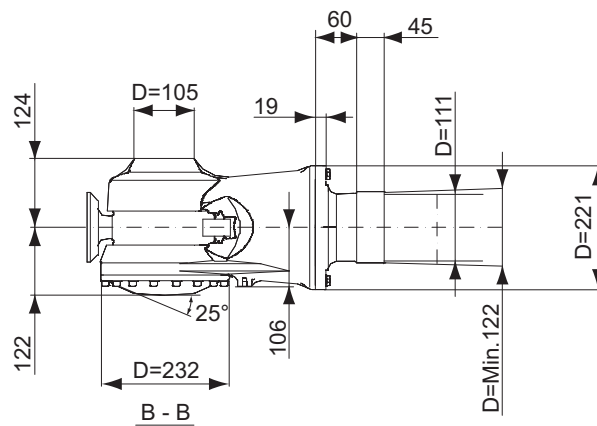
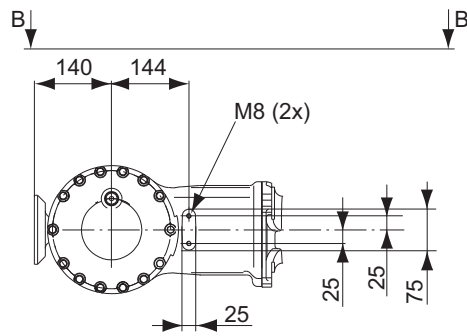
xx110000598

Continues on next page

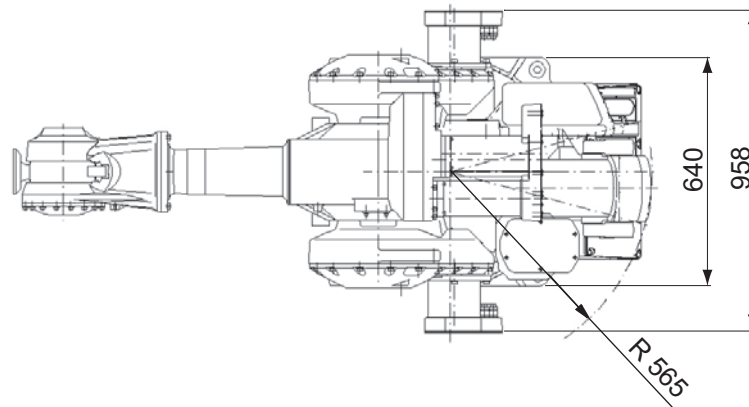
1 Description

1.1.2 Different robot versions

Continued



xx110000608



xx110000599

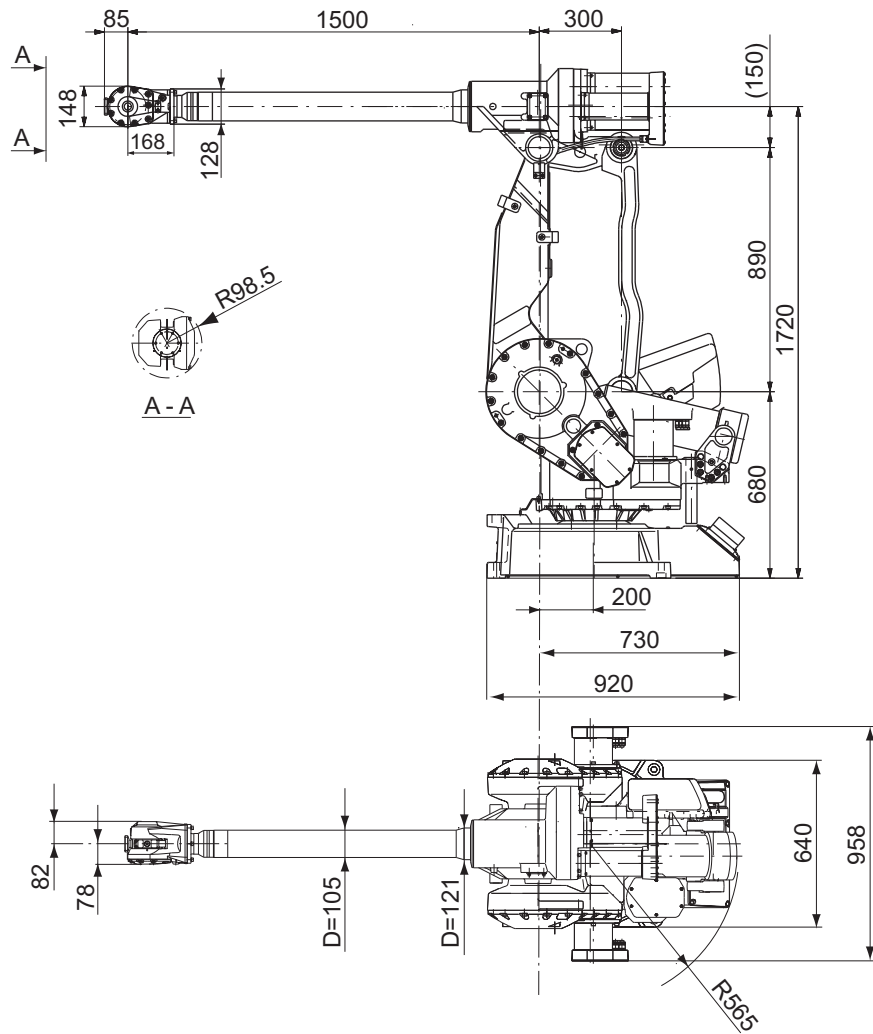
Continues on next page

1 Description

1.1.2 Different robot versions

Continued

Dimensions IRB 4400/L10



xx1300002623

1.2 Standards

1.2.1 Applicable standards



Note

The listed standards are valid at the time of the release of this document. Phased out or replaced standards are removed from the list when needed.

General

The product is designed in accordance with ISO 10218-1:2011, Robots for industrial environments - Safety requirements -Part 1 Robots, and applicable parts in the normative references, as referred to from ISO 10218-1:2011. In case of deviations from ISO 10218-1:2011, these are listed in the declaration of incorporation which is part of the product delivery.

Normative standards, ISO

Standard	Description
ISO 9283:1998	Manipulating industrial robots - Performance criteria and related test methods
ISO 10218-2	Robots and robotic devices - Safety requirements for industrial robots - Part 2: Robot systems and integration
ISO 12100	Safety of machinery - General principles for design - Risk assessment and risk reduction
ISO 13849-1:2006	Safety of machinery - Safety related parts of control systems - Part 1: General principles for design
ISO 13850	Safety of machinery - Emergency stop - Principles for design
IEC 60204-1:2005	Safety of machinery - Electrical equipment of machines - Part 1: General requirements
IEC 62061:2005	Safety of machinery - Functional safety of safety-related electrical, electronic and programmable electronic control systems

Region specific standards and regulations

Standard	Description
ANSI/RIA R15.06	Safety requirements for industrial robots and robot systems
ANSI/UL 1740	Safety standard for robots and robotic equipment
CAN/CSA Z 434-14	Industrial robots and robot Systems - General safety requirements

Other standards used in design

Standard	Description
ISO 9787:2013	Robots and robotic devices -- Coordinate systems and motion nomenclatures
IEC 61000-6-2	Electromagnetic compatibility (EMC) – Part 6-2: Generic standards – Immunity standard for industrial environments

Continues on next page

1 Description

1.2.1 Applicable standards

Continued

Standard	Description
IEC 61000-6-4 (option 129-1)	Electromagnetic compatibility (EMC) – Part 6-4: Generic standards – Emission standard for industrial environments
ISO 13732-1:2008	Ergonomics of the thermal environment - Part 1
IEC 60974-1:2012 ⁱ	Arc welding equipment - Part 1: Welding power sources
IEC 60974-10:2014 ⁱ	Arc welding equipment - Part 10: EMC requirements
ISO 14644-1:2015 ⁱⁱ	Classification of air cleanliness
IEC 60529:1989 + A2:2013	Degrees of protection provided by enclosures (IP code)

ⁱ Only valid for arc welding robots. Replaces IEC 61000-6-4 for arc welding robots.

ⁱⁱ Only robots with protection Clean Room.

1.3 Installation

1.3.1 Introduction to installation

General

The IRB 4400 is designed for floor mounting (no tilting allowed around X-axis or Y-axis). A end effector of max. weight 10 to 60 kg, including payload, can be mounted on the mounting flange (axis 6). See section Load diagrams.

Extra loads

Extra loads can be mounted on the upper arm and on the base. There are holes for mounting extra equipment, see section Mounting equipment.

Working range limitations

The working range of axes 1-2 can be limited by mechanical stops and axis 3 by limit switches. Electronic Position Switches can be used on all axes for position indicator of manipulator.

1 Description

1.3.2 Operating requirements

1.3.2 Operating requirements

Protection standards

Robot version	Protection Standard IEC60529
Standard manipulator	IP54
Foundry Plus manipulator	IP67, Steam washable

Explosive environments

The robot must not be located or operated in an explosive environment.

Ambient temperature

Description	Standard/Option	Temperature
Manipulator during operation	Standard	+ 5 °C ⁱ (41 °F) to + 45 °C (113 °F)
For the controller	Standard/Option	See Product specification - Controller IRC5 with FlexPendant
Complete robot during transportation and storage	Standard	- 25 °C (- 13 °F) to + 55 °C (131 °F)
For short periods (not exceeding 24 hours)	Standard	up to + 70 °C (158 °F)

ⁱ At low environmental temperature < 10 ° C is, as with any other machine, a warm-up phase is recommended to be run with the robot. Otherwise there is a risk that the robot stops or run with lower performance due to temperature dependent oil- and grease viscosity.

Relative humidity

Description	Relative humidity
Complete robot during operation, transportation and storage	Max. 95% at constant temperature

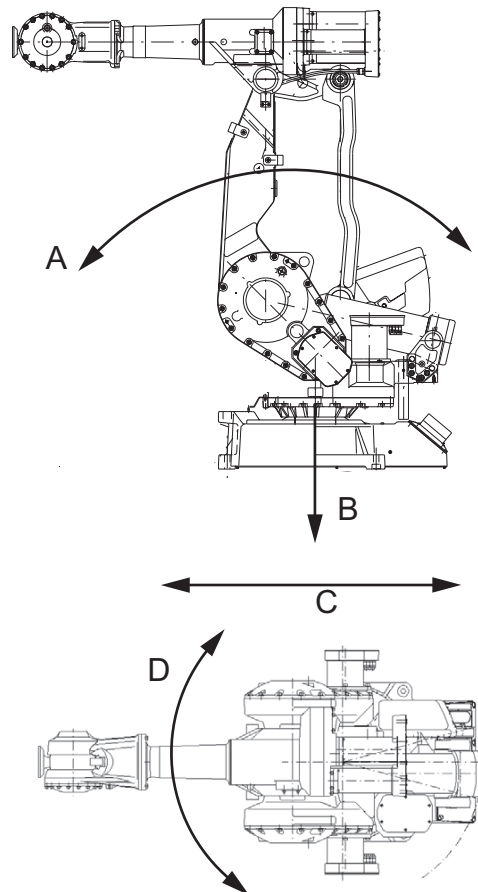
1.3.3 Mounting the manipulator

Maximum load in relation to the base coordinate system

Maximum load IRB 4400

Floor Mounted

Force	Endurance load (in operation)	Max. load (emergency stop)
Force xy	± 7500 N	± 9000 N
Force z	$+9500 \pm 2000$ N	$+9500 \pm 3000$ N
Torque xy	± 14000 Nm	± 16000 Nm
Torque z	± 2000 Nm	± 4000 Nm



xx110000593

A	Torque _{xy} (T_{xy})
B	Force _z (F_z)
C	Force _{xy} (F_{xy})
D	Torque _z (T_z)

Continues on next page

1 Description

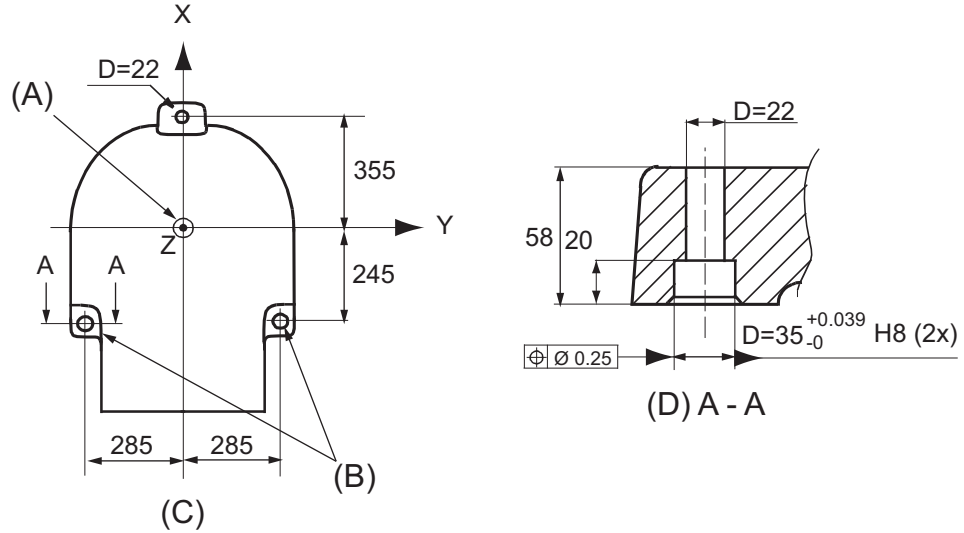
1.3.3 Mounting the manipulator

Continued

Note regarding M_{xy} and F_{xy}

The bending torque (M_{xy}) can occur in any direction in the XY-plane of the base coordinate system. The same applies to the transverse force (F_{xy}).

Fastening holes robot base

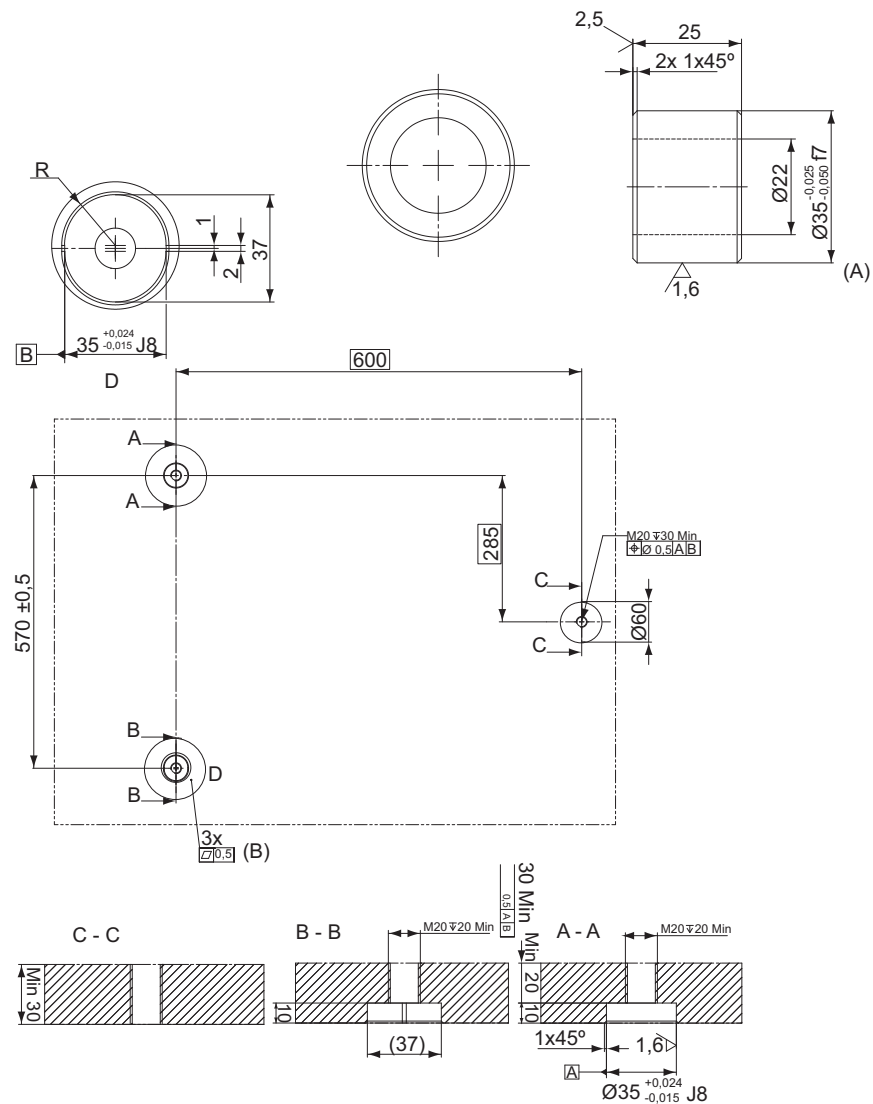


xx1100000594

Pos	Description
A	Z= center line
B	The same dimensions
C	View from bottom of the base
D	Section

Continues on next page

Mounting surface and bushings



xx110000604

Pos	Description
A	Surface treatment, ISO 2081 Fe/Zn 8 c2 Guide bushings
B	Common zone

1 Description

1.4.1 Calibration methods

1.4 Calibration and references


1.4.1 Calibration methods

Overview

This section specifies the different types of calibration and the calibration methods that are supplied by ABB.

More information is available in the product manual.

Types of calibration

Type of calibration	Description	Calibration method
Standard calibration	<p>The calibrated robot is positioned at calibration position.</p> <p>Standard calibration data is found on the SMB (serial measurement board) or EIB in the robot.</p> <p>For robots with RobotWare 5.04 or older, the calibration data is delivered in a file, calib.cfg, supplied with the robot at delivery. The file identifies the correct resolver/motor position corresponding to the robot home position.</p>	Calibration Pendulum
Absolute accuracy calibration (optional)	<p>Based on standard calibration, and besides positioning the robot at synchronization position, the Absolute accuracy calibration also compensates for:</p> <ul style="list-style-type: none">• Mechanical tolerances in the robot structure• Deflection due to load <p>Absolute accuracy calibration focuses on positioning accuracy in the Cartesian coordinate system for the robot.</p> <p>Absolute accuracy calibration data is found on the SMB (serial measurement board) in the robot.</p> <p>For robots with RobotWare 5.05 or older, the absolute accuracy calibration data is delivered in a file, absacc.cfg, supplied with the robot at delivery. The file replaces the calib.cfg file and identifies motor positions as well as absolute accuracy compensation parameters.</p> <p>A robot calibrated with Absolute accuracy has a sticker next to the identification plate of the robot.</p> <p>To regain 100% Absolute accuracy performance, the robot must be recalibrated for absolute accuracy after repair or maintenance that affects the mechanical structure.</p> <div data-bbox="651 1749 1134 1868"></div> <p>xx0400001197</p>	CalibWare

Continues on next page

Type of calibration	Description	Calibration method
Optimization	<p>Optimization of TCP reorientation performance. The purpose is to improve reorientation accuracy for continuous processes like welding and gluing.</p> <p>Wrist optimization will update standard calibration data for axes 4 and 5.</p>	Wrist Optimization

Brief description of calibration methods

Calibration Pendulum method

Calibration Pendulum is a standard calibration method for calibration of all ABB robots (except IRB 6400R, IRB 640, IRB 1400H, and IRB 4400S).

Two different routines are available for the Calibration Pendulum method:

- Calibration Pendulum II
- Reference calibration

The calibration equipment for Calibration Pendulum is delivered as a complete toolkit, including the *Operating manual - Calibration Pendulum*, which describes the method and the different routines further.

Wrist Optimization method

Wrist Optimization is a method for improving reorientation accuracy for continuous processes like welding and gluing and is a complement to the standard calibration method.

The following routines are available for the Wrist Optimization method:

- Wrist Optimization

The actual instructions of how to perform the calibration procedure and what to do at each step is given on the FlexPendant. You will be guided through the calibration procedure, step by step.

CalibWare - Absolute Accuracy calibration

The CalibWare tool guides through the calibration process and calculates new compensation parameters. This is further detailed in the *Application manual - CalibWare Field*.

If a service operation is done to a robot with the option Absolute Accuracy, a new absolute accuracy calibration is required in order to establish full performance. For most cases after replacements that do not include taking apart the robot structure, standard calibration is sufficient.

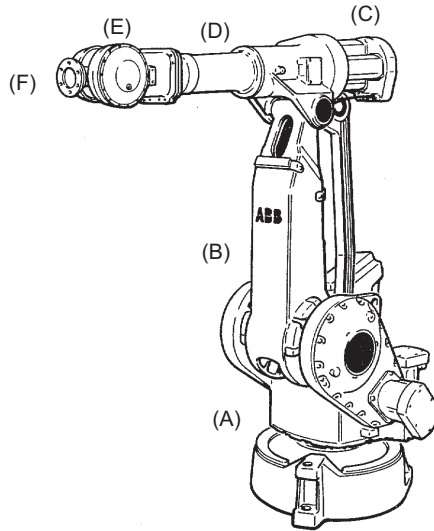
1 Description

1.4.2 Fine calibration

1.4.2 Fine calibration

General

Fine calibration is made using the Calibration Pendulum, see *Operating manual - Calibration Pendulum*.



xx1100000590

Pos	Description	Pos	Description
A	Axis 1	B	Axis 2
C	Axis 3	D	Axis 4
E	Axis 5	F	Axis 6

Calibration

Calibration	Position
Calibration of all axes	All axes are in zero position
Calibration of axis 1 and 2	Axis 1 and 2 in zero position
	Axis 3 to 6 in any position
Calibration of axis 1	Axis 1 in zero position
	Axis 2 to 6 in any position

1.4.3 Absolute Accuracy calibration

Purpose

Absolute Accuracy is a calibration concept that improves TCP accuracy. The difference between an ideal robot and a real robot can be several millimeters, resulting from mechanical tolerances and deflection in the robot structure. *Absolute Accuracy* compensates for these differences.

Here are some examples of when this accuracy is important:

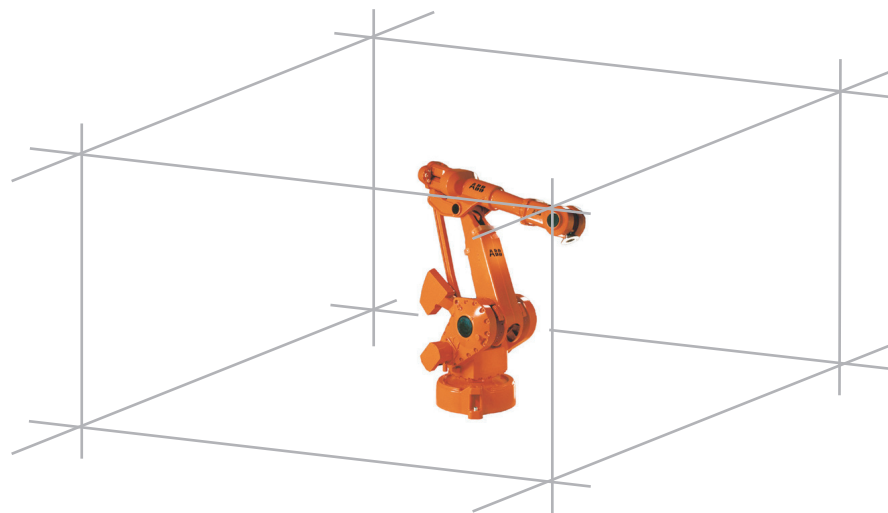
- Exchangeability of robots
- Offline programming with no or minimum touch-up
- Online programming with accurate movement and reorientation of tool
- Programming with accurate offset movement in relation to eg. vision system or offset programming
- Re-use of programs between applications

The option *Absolute Accuracy* is integrated in the controller algorithms and does not need external equipment or calculation.



Note

The performance data is applicable to the corresponding RobotWare version of the individual robot.



xx110000606

What is included

Every *Absolute Accuracy* robot is delivered with:

- compensation parameters saved on the robot's serial measurement board
- a birth certificate representing the *Absolute Accuracy* measurement protocol for the calibration and verification sequence.

A robot with *Absolute Accuracy* calibration has a label with this information on the manipulator.

Continues on next page

1 Description

1.4.3 Absolute Accuracy calibration

Continued

Absolute Accuracy supports floor mounted, wall mounted and ceiling mounted installations. Compensation parameters saved on the robot's serial measurement board differ depending on which *Absolute Accuracy* option is selected.

When is *Absolute Accuracy* being used

Absolute Accuracy works on a robot target in Cartesian coordinates, not on the individual joints. Therefore, joint based movements (e.g. `MoveAbsJ`) will not be affected.

If the robot is inverted, the *Absolute Accuracy* calibration must be performed when the robot is inverted.

Absolute Accuracy active

Absolute Accuracy will be active in the following cases:

- Any motion function based on robtargets (e.g. `MoveL`) and ModPos on robtargets
- Reorientation jogging
- Linear jogging
- Tool definition (4, 5, 6 point tool definition, room fixed TCP, stationary tool)
- Work object definition

Absolute Accuracy not active

The following are examples of when *Absolute Accuracy* is not active:

- Any motion function based on a jointtarget (`MoveAbsJ`)
- Independent joint
- Joint based jogging
- Additional axes
- Track motion



Note

In a robot system with, for example, an additional axis or track motion, the *Absolute Accuracy* is active for the manipulator but not for the additional axis or track motion.

RAPID instructions

There are no RAPID instructions included in this option.

Production data

Typical production data regarding calibration are:

Robot	Positioning accuracy (mm)		
	Average	Max	% Within 1 mm
IRB 4400/60	0.30	0.75	100
IRB 4400/L10			

1.5 Load diagrams

1.5.1 Introduction to load diagrams

Information



WARNING

It is very important to always define correct actual load data and correct payload of the robot. Incorrect definitions of load data can result in overloading of the robot.

If incorrect load data and/or loads are outside load diagram is used the following parts can be damaged due to overload:

- motors
- gearboxes
- mechanical structure



WARNING

In the robot system is the service routine LoadIdentify available, which allows the user to make an automatic definition of the tool and load, to determine correct load parameters. Please see *Operating Manual - IRC5 with FlexPendant*, art. No. 3HAC16590-1, for detailed information.



WARNING

Robots running with incorrect load data and/or with loads outside diagram, will not be covered by robot warranty.

General

The load diagrams include a nominal payload inertia, J_0 of 2.5 kgm^2 , and an extra load of 15 kg at the upper arm housing, 5 kg at the wrist and 35 kg at the frame for IRB 4400/60.

The load diagrams include a nominal payload inertia, J_0 of 0.04 kgm^2 , and an extra load of 15 kg at the upper arm housing, 2 kg at the wrist and 35 kg at the frame for IRB 4400/L10.

At different moment of inertia the load diagram will be changed. For robots that are allowed tilted, wall or inverted mounted, the load diagrams as given are valid and thus it is also possible to use RobotLoad within those tilt and axis limits.

Control of load case by "RobotLoad"

To easily control a specific load case, use the calculation program ABB RobotLoad. Contact your local ABB organization for more information.

Continues on next page

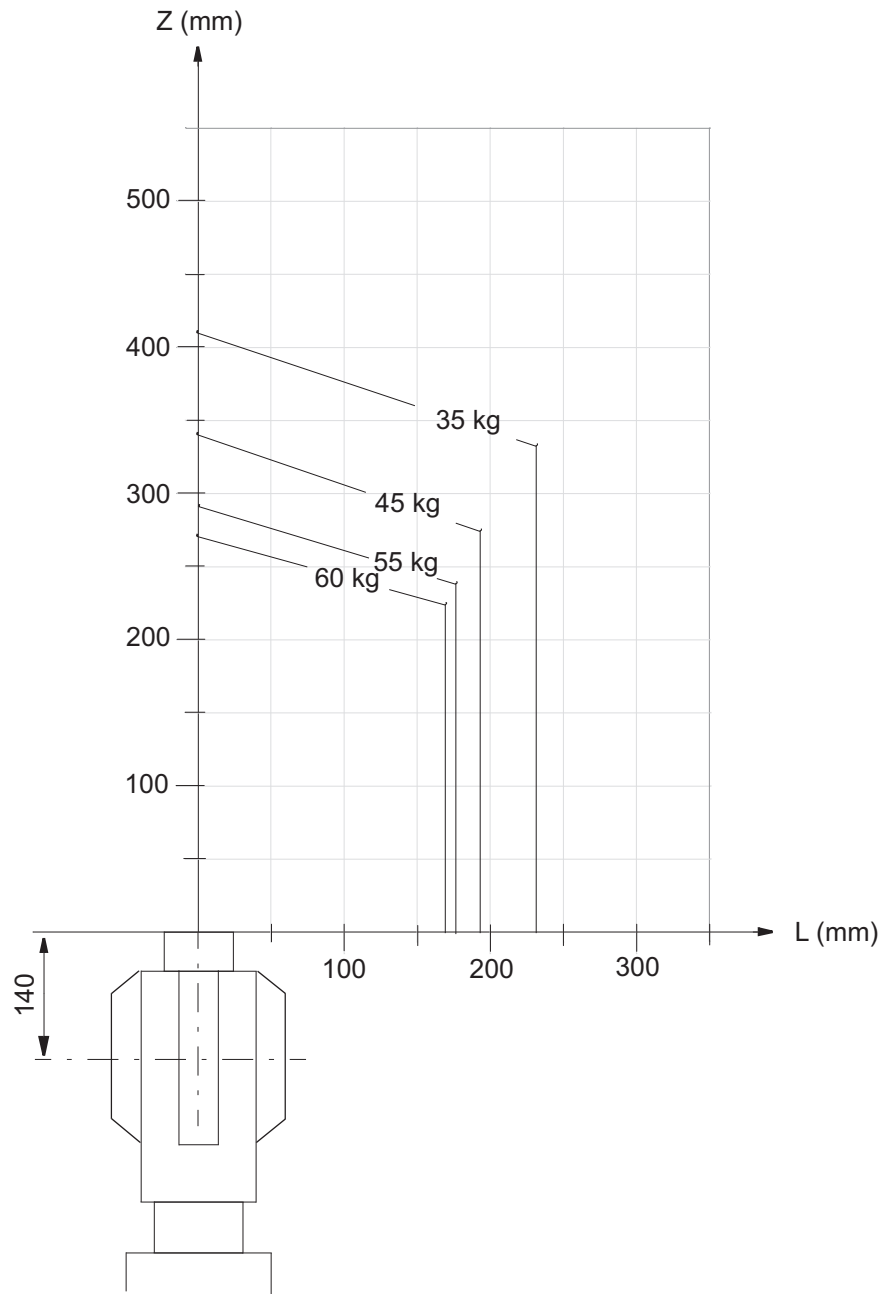
1 Description

1.5.1 Introduction to load diagrams

Continued

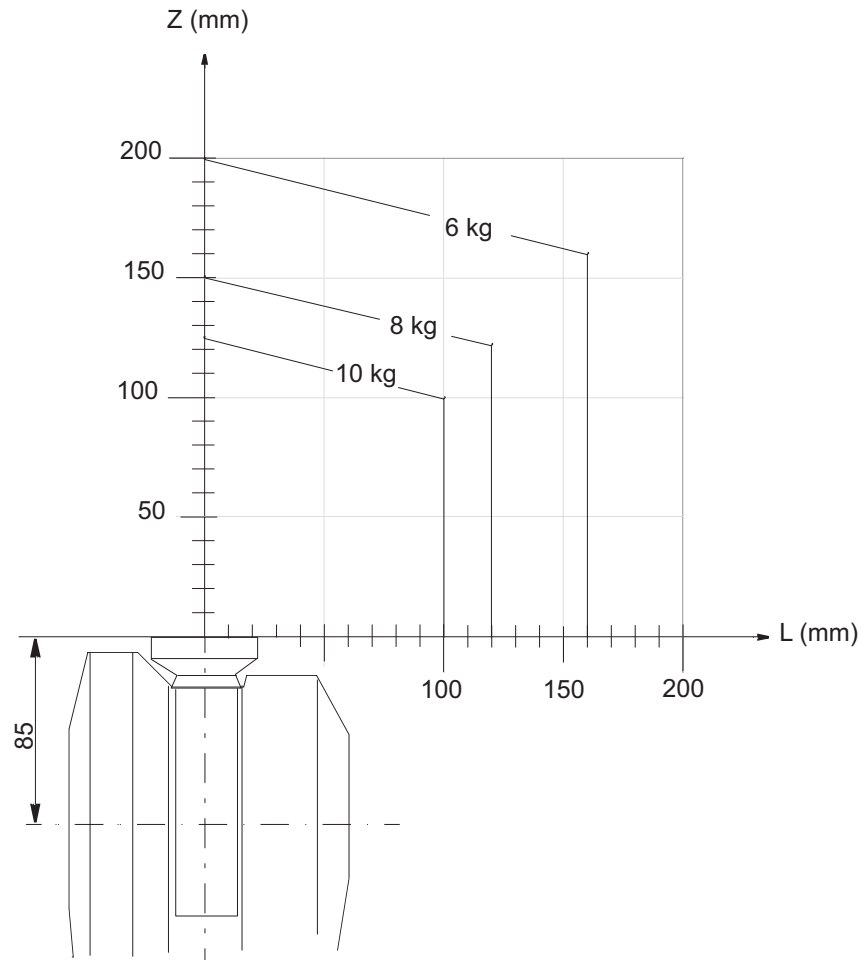
The result from RobotLoad is only valid within the maximum loads and tilt angles. There is no warning if the maximum permitted armload is exceeded. For over load cases and special applications, contact ABB for further analysis.

Load diagram IRB 4400/60



Continues on next page

Load diagram IRB 4400/L10



1 Description

1.5.2 Maximum load and moment of inertia for full and limited axis 5 movement

1.5.2 Maximum load and moment of inertia for full and limited axis 5 movement

Information



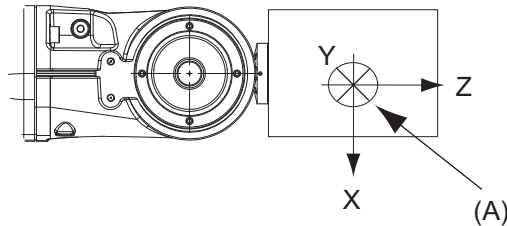
Note

Total load given as: Mass in kg, center of gravity (Z and L) in meter and moment of inertia (J_{0x} J_{0y} J_{0z}) in kgm^2 . $L = \sqrt{x^2 + y^2}$.

Full movement of axis 5 ($\pm 120^\circ$)

Axis	Robot type	Maximum moment of inertia
5	IRB 4400/60	$Ja5 = \text{Load} \times ((Z + 0,14^2 + L^2) + \max(J_{0x}, J_{0y})) \leq 30.0 \text{ kgm}^2$
6	IRB 4400/60	$Ja6 = \text{Load} \times L^2 + J_{0z} \leq 17.5 \text{ kgm}^2$

Axis	Robot type	Maximum moment of inertia
5	IRB 4400/L10	$Ja5 = \text{Load} \times ((Z + 0,085^2 + L^2) + \max(J_{0x}, J_{0y})) \leq 1.15 \text{ kgm}^2$
6	IRB 4400/L10	$Ja6 = \text{Load} \times L^2 + J_{0z} \leq 0.70 \text{ kgm}^2$



xx1100000601

1.5.3 Wrist torque

Maximum torque due to payload

The table below shows the maximum permissible torque due to payload:



Note

The values are for reference only, and should not be used for calculating permitted load offset (position of center of gravity) within the load diagram, since those also are limited by main axes torques as well as dynamic loads. Also arm loads will influence the permitted load diagram, please contact your local ABB organization.

Robot type	Max wrist torque axis 4 and 5	Max wrist torque axis 6	Max torque valid at load
IRB 4400/60	242 Nm	98.9 Nm	60 kg
IRB 4400/L10	20.6 Nm	9.81 Nm	10 kg

1 Description

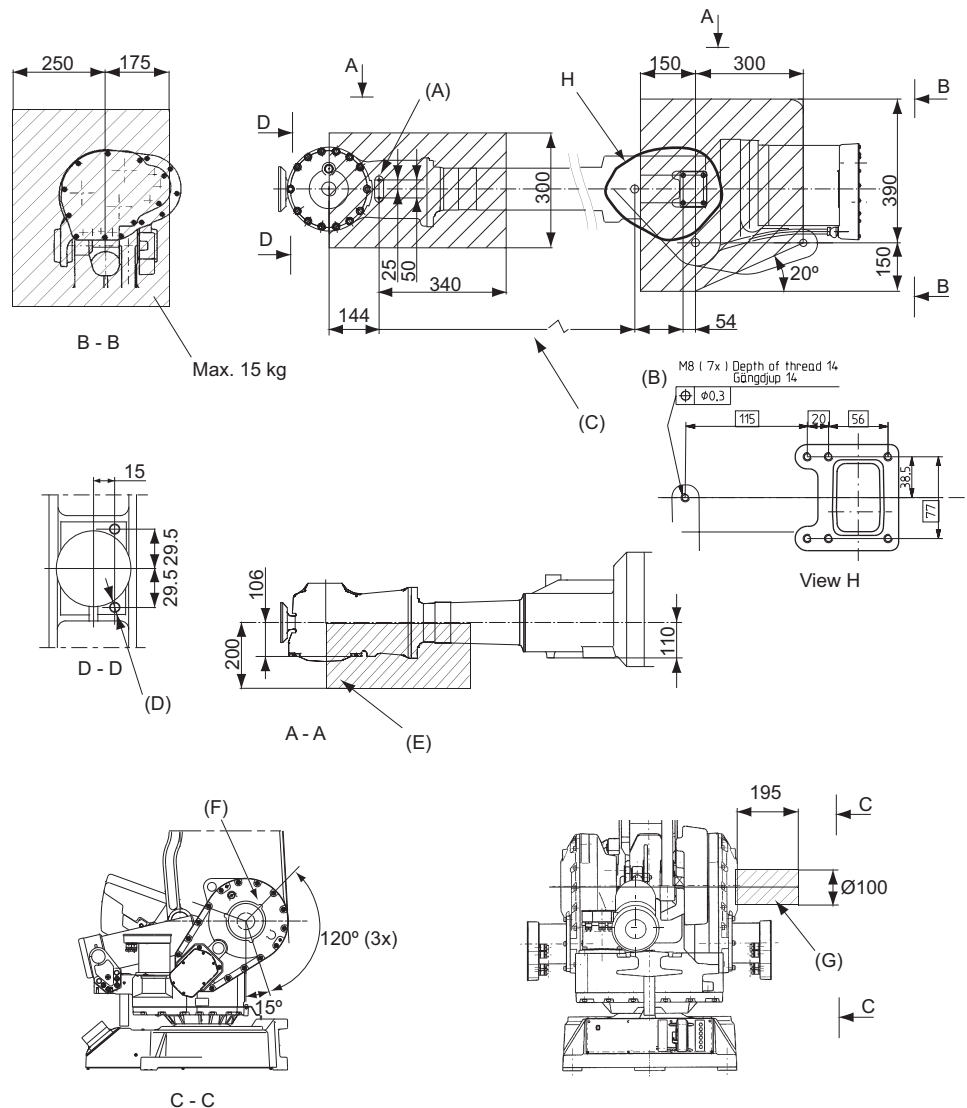
1.6 Mounting equipment

1.6 Mounting equipment

Upper arm and base

The robot is supplied with tapped holes on the upper arm and on the base for mounting extra equipment.

IRB 4400/60



xx130000001

Pos	Description
A	M8 (x2) Used if option 218-6 is chosen, depth of thread 9 mm
B	M8 (x7) Depth of thread 14 mm
C	571 mm
D	M6 (2x) tapped depth 12 mm
E	Max. 5 kg at max handling weight

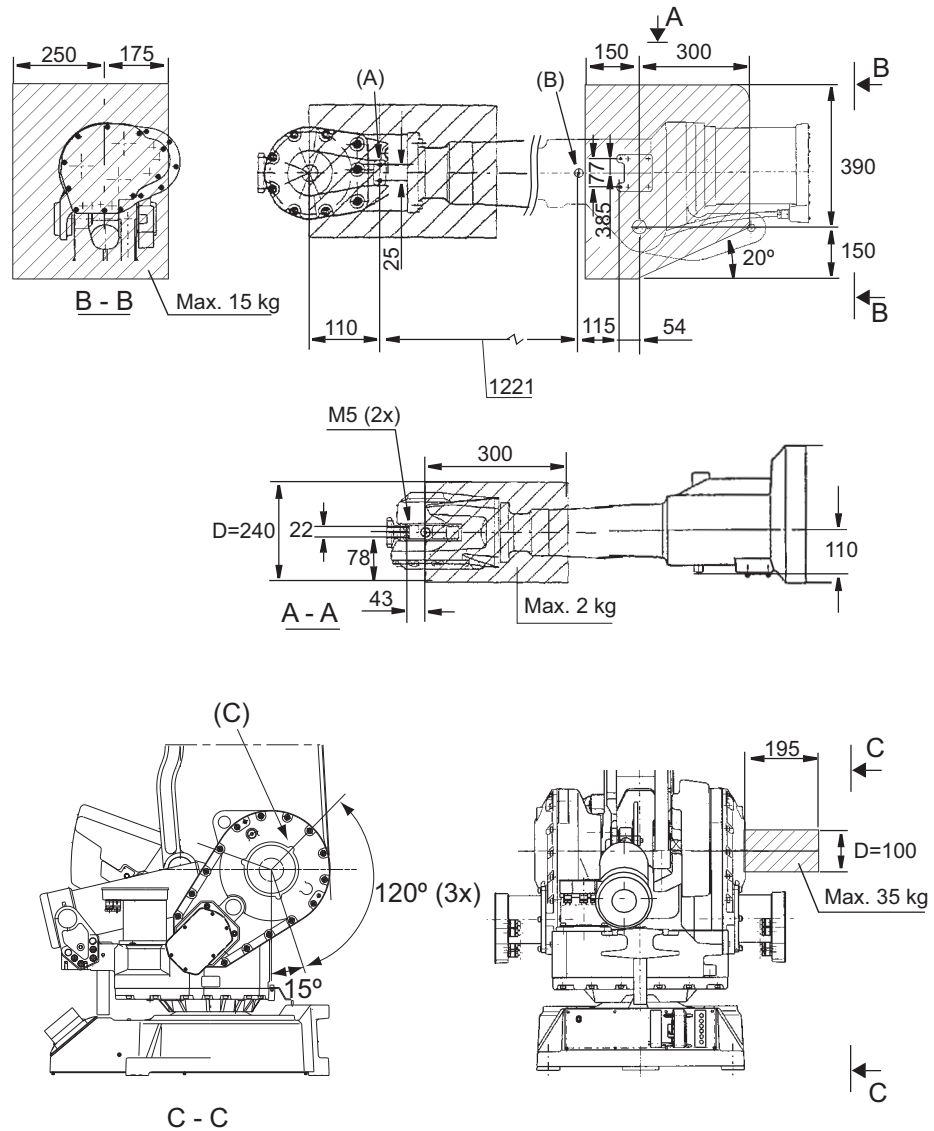
Continues on next page

1 Description

1.6 Mounting equipment Continued

Pos	Description
F	M8 (x3) R= 92 mm, depth 16 mm (if option 34-1 is chosen these holes are occupied)
G	Max. 35 kg

IRB 4400/L10



xx1300002625

Pos	Description
A	M6 (x2) Depth of thread 15 mm
B	M8 (x3) Depth of thread 14 mm
C	M8 (x3) R= 92 mm, depth of thread 16 mm (If option 34-1 is chosen these holes are occupied)

Continues on next page

1 Description

1.6 Mounting equipment

Continued

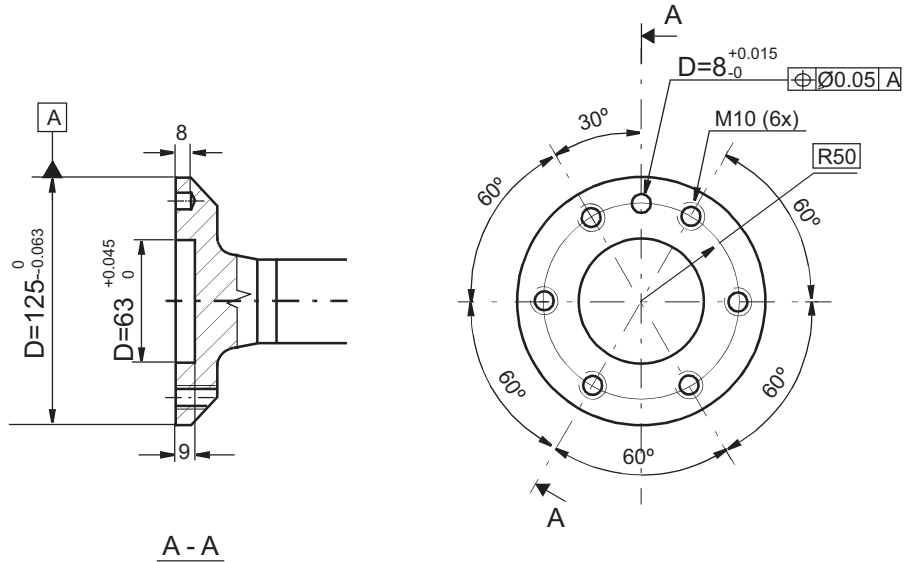


Note

Maximum loads must never be exceeded!

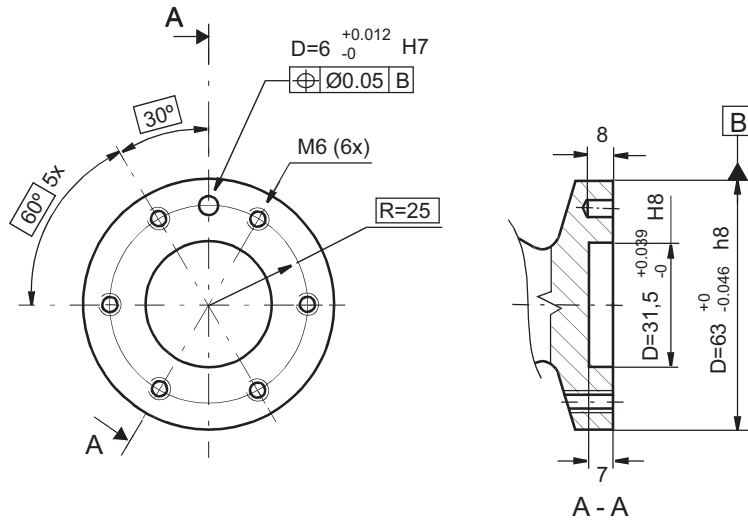
Tool flange

IRB 4400/60



xx110000602

IRB 4400/L10



xx1300002626

For fastening of gripper tool flange to Robot tool flange every one of the screw holes for 6 screws, quality class 12.9 shall be used. Min. 10 mm used thread length.

1.7 Maintenance and troubleshooting

General

The robot requires only minimum maintenance during operation. It has been designed to make it as easy to service as possible:

- Maintenance-free AC motors are used.
- Oil is used for the gear boxes.
- The cabling is routed for longevity, and in the unlikely event of a failure, its modular design makes it easy to change.

Maintenance

The maintenance intervals depend on the use of the robot, the required maintenance activities also depends on selected options. For detailed information on maintenance procedures, see Maintenance section in the Product Manual.

1 Description

1.8 Robot motion

1.8 Robot motion

Introduction to robot motion

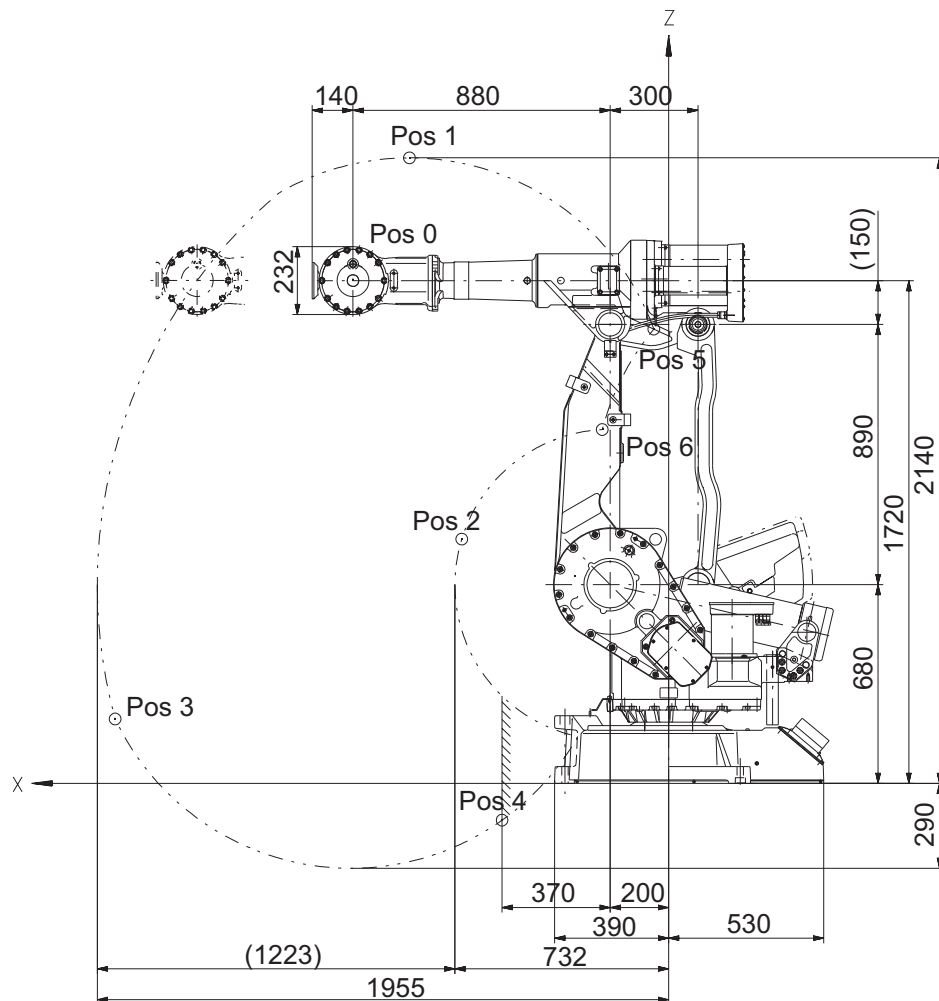
Axis	Type of motion	Range of movement
1	Rotation motion	+ 165° to - 165°
2	Arm motion	+ 95° to - 70°
3	Arm motion	+ 65° to - 60°
4	Rotation motion	+ 200° to - 200°
5	Bend motion	+ 120° to - 120°
6	Turn motion	+ 400° to - 400° + 200 ⁱ rev. ⁱⁱ to - 200 rev. Max. ⁱⁱⁱ

ⁱ + 183 rev to - 183 rev valid for IRB 4400/L10

ⁱⁱ rev. = Revolutions

ⁱⁱⁱ The default working range for axis 6 can be extended by changing parameter values in the software. Option 610-1 "Independent axis" can be used for resetting the revolution counter after the axis has been rotated (no need for "rewinding" the axis).

IRB 4400/60



xx1100000592

Continues on next page

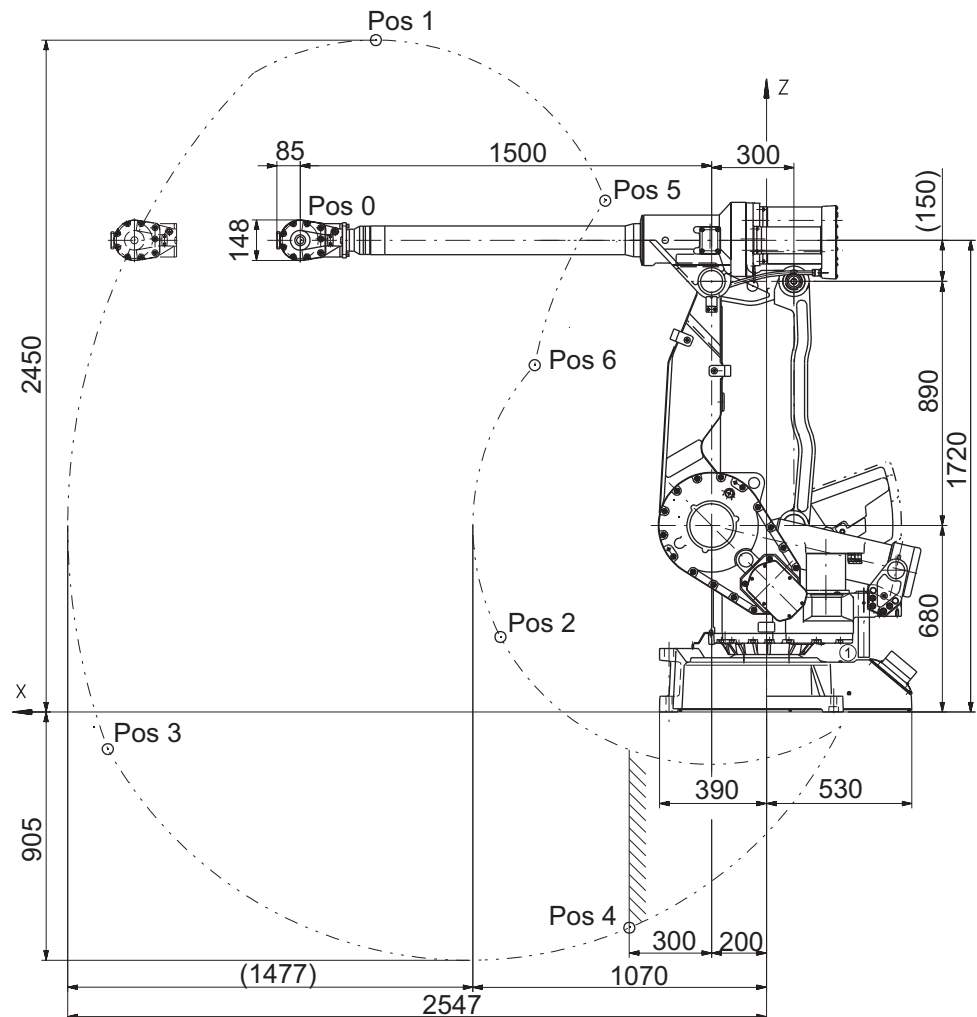
1 Description

1.8 Robot motion Continued

Positions at wrist center (mm) and angle (degrees):

Position no (see figure above)	Position (mm) X	Position (mm) Z	Angle (degrees) Axis 2	Angle (degrees) Axis 3
0	1080	1720	0	0
1	887	2140	0	-30
2	708	836	0	65
3	1894	221	95	-60
4	570	-126	95	40
5	51	1554	-70	40
6	227	1210	-70	65

IRB 4400/L10



xx1300002627

Positions at wrist center (mm) and angle (degrees):

Position no (see figure above)	Position (mm) X	Position (mm) Z	Angle (degrees) Axis 2	Angle (degrees) Axis 3
0	1700	1720	0	0

Continues on next page

1 Description

1.8 Robot motion

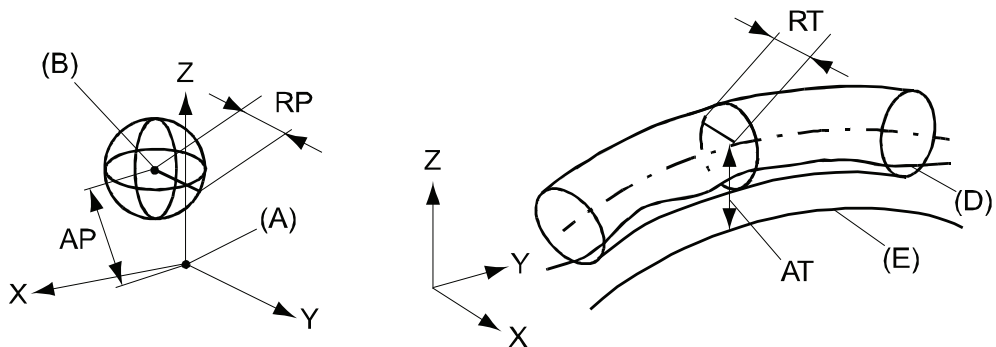
Continued

Position no (see figure above)	Position (mm) X	Position (mm) Z	Angle (degrees) Axis 2	Angle (degrees) Axis 3
1	1424	2450	0	-30
2	970	274	0	65
3	2401	-135	95	-60
4	500	-786	95	24
5	588	1864	-70	40
6	845	1265	-70	65

Performance according to ISO 9283

At rated maximum load, maximum offset and 1.6 m/s velocity on the inclined ISO test plane, with all six axes in motion. Values in the table below are the average result of measurements on a small number of robots. The result may differ depending on where in the working range the robot is positioning, velocity, arm configuration, from which direction the position is approached, the load direction of the arm system. Backlashes in gearboxes also affect the result.

The figures for AP, RP, AT and RT are measured according to figure below.



xx0800000424

Pos	Description	Pos	Description
A	Programmed position	E	Programmed path
B	Mean position at program execution	D	Actual path at program execution
AP	Mean distance from programmed position	AT	Max deviation from E to average path
RP	Tolerance of position B at repeated positioning	RT	Tolerance of the path at repeated program execution

Description	IRB 4400/60	IRB 4400/L10
Pose repeatability, RP (mm)	0.06	0.05
Pose accuracy, AP ⁱ (mm)	0.03	0.04
Linear path repeatability, RT ⁱⁱ (mm)	0.09	0.16
Linear path accuracy, AT ⁱⁱ (mm)	0.36	0.34

Continues on next page

1 Description

1.8 Robot motion Continued

Description	IRB 4400/60	IRB 4400/L10
Pose stabilization time, (PSt) to within 0.2 mm of the position (s)	0.27	0.25

i AP according to the ISO test above, is the difference between the reached position (position manually modified in the cell) and the average position obtained during program execution

ii The values AT and RT, for IRB 4400/60, are measured at a velocity of 250 mm/s

The above values are the range of average test results from a number of robots.

Velocity

Maximum axis speed

Robot type	Axis 1	Axis 2	Axis 3	Axis 4	Axis 5	Axis 6
IRB 4400/60	150 °/s	120 °/s	120 °/s	225 °/s	250 °/s	330 °/s
IRB 4400/L10	150 °/s	150 °/s	150 °/s	370 °/s	330 °/s	381 °/s

There is a supervision function to prevent overheating in applications with intensive and frequent movements.

Axis resolution

Approx. 0.01° on each axis.

Stopping distance/time

Stopping distance/time for emergency stop (category 0), program stop (category 1) and at mains power supply failure at max speed, max stretched out and max load, categories according to EN 60204-1. All results are from tests on one moving axis. All stop distances are valid for floor mounted robot, without any tilting.

Robot type	Axis	Category 0		Category 1		Main power failure	
		A	B	A	B	A	B
IRB 4400/60	1	65	0.9	84	1.0	76	0.9
	2	16	0.3	24	0.4	22	0.3
	3	15	0.3	25	0.4	23	0.3

Robot type	Axis	Category 0		Category 1		Main power failure	
		A	B	A	B	A	B
IRB 4400/L10	1	45	0.6	63	0.8	57	0.7
	2	17	0.2	28	0.3	25	0.3
	3	13	0.2	27	0.3	26	0.3

	Description
A	Stopping distance in degrees
B	Stop time (s)

1 Description

1.9 Signals

1.9 Signals

To connect extra equipment on the manipulator, there are cables integrated into the manipulator's cabling, one FCI UT07 14 12SH44N connector and one FCI UT07 18 23SH44N connector on the rear part of the upper arm.

Hose for compressed air is also integrated into the manipulator. There is an inlet (R1/4") at the base and an outlet (R1/4") on the rear part of the upper arm.

Type	Quantity	Value
Signals	23	50 V, 250 mA
Power	10	250 V, 2 A
Air	1	Max. 8 bar, inner hose diameter 8 mm

2 Specification of variants and options

2.1 Introduction to variants and options

General

The different variants and options for the IRB 4400 are described in the following sections. The same option numbers are used here as in the specification form.

The variants and options related to the robot controller are described in the product specification for the controller.

2 Specification of variants and options

2.2 Manipulator

2.2 Manipulator

Variants

Option	IRB Type	Handling capacity (kg) / Reach (m)
435-38	IRB 4400/60	60/1.96
435-41	IRB 4400/L10	10/2.55

Manipulator color

Option	Description	Note
209-1	ABB Orange standard	
209-2	ABB White standard	
209-202	ABB Graphite White standard	Standard color
209-	The robot is painted with the chosen RAL-color.	



Note

Notice that delivery time for painted spare parts will increase for none standard colors.

Protection

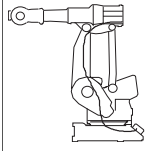
Option	Description
287-4	Standard

Continues on next page

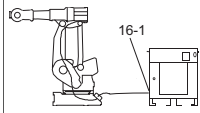
Option	Description
287-3	<p>Foundry Plus</p> <p>The Foundry Plus option is designed for harsh environments where the robot is exposed to sprays of coolants, lubricants and metal spits that are typical for die casting applications or other similar applications. Typical applications are spraying insertion and part extraction of die-casting machines, handling in sand casting and gravity casting, etc. (Please refer to Foundry Prime for washing applications or other similar applications). Special care must be taken in regard to operational and maintenance requirements for applications in foundry as well as in other applications areas. Please contact ABB Robotics Sales organization if in doubt regarding specific application feasibility for the Foundry Plus robot. The Foundry Plus robot is painted with two-component epoxy on top of a primer for corrosion protection. To further improve the protection additional preventive measures are applied to exposed and crucial areas. Continuous splashing of water or other similar rust formation fluids may cause corrosion on the robots unpainted areas, joints, or other unprotected surfaces. Under these circumstances it is recommended to add rust inhibitor to the fluid or take other measures to prevent potential rust formation. The entire robot is IP67 compliant according to IEC 60529 - from base to wrist, which means that the electrical compartments are sealed against liquid and solid contaminants. Among other things all sensitive parts are better protected than the standard offer.</p> <p>Selected Foundry Plus features:</p> <ul style="list-style-type: none"> - Improved sealing to prevent penetration into cavities to secure IP67 - Additional protection of cabling and electronics - Special covers protecting cavities - Well-proven connectors - Rust preventives on screws, washers and unpainted/machined surfaces - Extended service and maintenance program <p>The Foundry Plus robot can be cleaned with appropriate washing equipment according to product manual. Appropriate cleaning and maintenance are required to maintain the Foundry Plus protection, for example can rust preventive be washed off with wrong cleaning method.</p>

Media Interface

Air supply and signals for extra equipment to upper arm.

Option	Description	Image
218-8	Integrated hose and cables for connection of extra equipment on the manipulator to the rear part of the upper arm.	

Application interface connection to

Option	Description	Image
16-1 Cabinet ⁱ	The signals are connected to 12-pole screw terminals, Phoenix MSTB 2.5/12-ST-5.08, to the the controller.	

ⁱ Note! In a IRC5 MultiMove application additional robots have no Control Module. The screw terminals with internal cabling are then delivered separately to be mounted in the main robot Control Module or in another encapsulation, for example a PLC cabinet.

Continues on next page

2 Specification of variants and options

2.2 Manipulator Continued

Connector kit

Detached connectors, suitable to the connectors for the application interface and position switches.

The kit consists of connectors, pins and sockets.

Option	Description
431-1	For the connectors on the upper arm if application interface, option 218-8 or option 218-6.
239-1	For the connectors on the foot if connection to manipulator, option 16-2.

Safety lamp

Option	Description
213-1	A safety lamp with an orange fixed light can be mounted on the manipulator. The lamp is active in MOTORS ON mode. The safety lamp is required on a UL/UR approved robot.

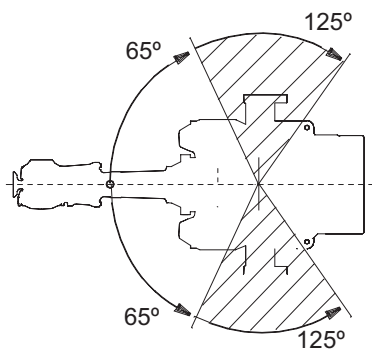
Electronic Position Switches (EPS)

The mechanical position switches indicating the position of the three main axes are replaced with electronic position switches for up to 7 axes, for increased flexibility and robustness. For more detailed information, see *Product specification - Controller IRC5 with FlexPendant* and *Application manual - Electronic Position Switches*.

Working range limit - axis 1

To increase the safety of the robot, the working range of axis 1 can be restricted.

Option	Description
28-1	Axis 1 Two extra stops for restricting the working range. The stops can be mounted within the area from 65° to 125°. See figure below.



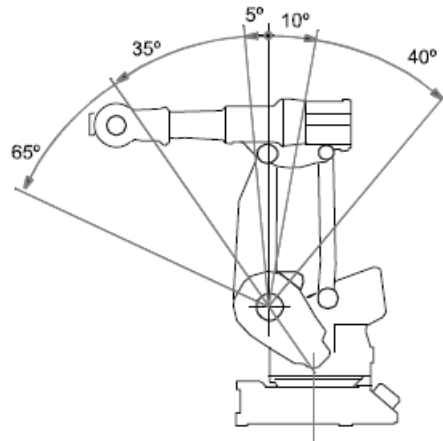
xx1100000605

Continues on next page

Working range - axis 2

To increase the safety of the robot, the working range of axis 2 can be restricted.

Option	Description
32-1	Axis 2 Stop lugs for restricting the working area. The figure below illustrates the mounting positions of the stops.



xx1100000597

Working range - axis 3

To increase the safety of the robot, the working range of axis 3 can be restricted.

Option	Description
34-1	Axis 3 Equipment for electrically restricting the working range in increments of 5°.

Warranty

For the selected period of time, ABB will provide spare parts and labour to repair or replace the non-conforming portion of the equipment without additional charges. During that period, it is required to have a yearly Preventative Maintenance according to ABB manuals to be performed by ABB. If due to customer restrains no data can be analyzed in the ABB Ability service *Condition Monitoring & Diagnostics* for robots with OmniCore controllers, and ABB has to travel to site, travel expenses are not covered. The Extended Warranty period always starts on the day of warranty expiration. Warranty Conditions apply as defined in the Terms & Conditions.



Note


This description above is not applicable for option *Stock warranty* [438-8]

Continues on next page

2 Specification of variants and options

2.2 Manipulator

Continued

Option	Type	Description
438-1	Standard warranty	Standard warranty is 12 months from <i>Customer Delivery Date</i> or latest 18 months after <i>Factory Shipment Date</i> , whichever occurs first. Warranty terms and conditions apply.
438-2	Standard warranty + 12 months	Standard warranty extended with 12 months from end date of the standard warranty. Warranty terms and conditions apply. Contact Customer Service in case of other requirements.
438-4	Standard warranty + 18 months	Standard warranty extended with 18 months from end date of the standard warranty. Warranty terms and conditions apply. Contact Customer Service in case of other requirements.
438-5	Standard warranty + 24 months	Standard warranty extended with 24 months from end date of the standard warranty. Warranty terms and conditions apply. Contact Customer Service in case of other requirements.
438-6	Standard warranty + 6 months	Standard warranty extended with 6 months from end date of the standard warranty. Warranty terms and conditions apply.
438-7	Standard warranty + 30 months	Standard warranty extended with 30 months from end date of the standard warranty. Warranty terms and conditions apply.
438-8	Stock warranty	<p>Maximum 6 months postponed start of standard warranty, starting from factory shipment date. Note that no claims will be accepted for warranties that occurred before the end of stock warranty. Standard warranty commences automatically after 6 months from <i>Factory Shipment Date</i> or from activation date of standard warranty in WebConfig.</p> <p> Note</p> <p>Special conditions are applicable, see <i>Robotics Warranty Directives</i>.</p>

2.3 Positioners

General

Regarding positioners, see *Product specification - IRBP /D2009, 3HAC038208-001*.

2 Specification of variants and options

2.4 Track motion

2.4 Track motion

General

Regarding track motion, see Product Specification 2HEA802965-001.

2.5 Floor cables

2.5.1 Manipulator

Manipulator cable length

Option	Lengths
210-2	7 m
210-3	15 m
210-4	22 m
210-5	30 m

Connection of Parallel communication

Option	Lengths
94-1	7 m
94-2	15 m
94-4	30 m

2 Specification of variants and options

2.6 User documentation

2.6 User documentation

User documentation

The user documentation describes the robot in detail, including service and safety instructions.



Tip

All documents can be found via myABB Business Portal, www.abb.com/myABB.

3 Accessories

3.1 Introduction to accessories

General

There is a range of tools and equipment available, especially designed for the manipulator.

Basic software and software options for robot and PC

For more information, see *Product specification - Controller IRC5 with FlexPendant* and *Product specification - Controller software IRC5*.

Robot peripherals

- Track Motion
- Motor Units
- Positioners

This page is intentionally left blank

Index

A

Absolute Accuracy, 25
Absolute Accuracy, calibration, 23
accessories, 51

C

calibration
 Absolute Accuracy type, 22
 standard type, 22
calibration, Absolute Accuracy, 23
Calibration Pendulum, 24
CalibWare, 22
compensation parameters, 25

D

documentation, 50

E

Electronic Position Switches, 44
EPS, 44

F

fine calibration, 24

I

instructions, 50

M

manuals, 50

O

options, 41

P

product standards, 15

S

safety standards, 15
service instructions, 50
standards, 15
 ANSI, 15
 CAN, 15
 EN IEC, 15
 EN ISO, 15
standard warranty, 45
stock warranty, 45

U

user documentation, 50

V

variants, 41

W

warranty, 45